

GEARBOX OIL SERVICES



BACK-UP RING

GMORS OFFER EDI SERVICES

Electronic Data Interchange

In November 2019, GMORS established a B2B Electronic Data Interchange (EDI) platform in support of customer electronic data exchange. This will save transaction processing time for both parties and enable exchange process verification and data security.

We welcome customers who are interested in our EDI services to contact our customer support representatives.



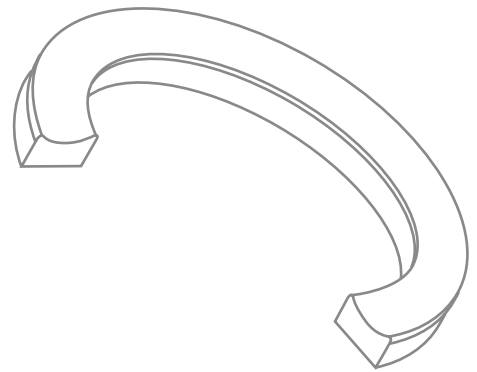


TABLE OF CONTENTS

| | |
|----|-------------------------------|
| 02 | About GMORS |
| 04 | Back-Up Ring Design Reference |
| 05 | Back-Up Ring Standard Size |

About GMORS

GMORS- SEALS TO YOUR HEART !

GMORS Rubber- A company moving forward with continuous improvements. Servicing in Rubber industry for all kinds of application to fulfill a better world.

Welcome to GMORS Rubber!

Since 1986, GMORS has served as the leading rubber component manufacturer in Taiwan. Known for innovation and continuous improvements, GMORS products have been approved for industries of Automotive, Semi-conductor, Medical, Aerospace, Drinking Water, Food & Drug equipment, Sanitary and various industrial grades.

Marching into the 21th century, GMORS Rubber's commitment is to satisfy all industries with the optimum combination of competitive price, high quality and fast service. Our goal is to be your best global partner on rubber components.



Product Offerings

- O-Rings
- X-Rings
- Back-Up Rings
- U-Packings
- V-Seals
- Special Packing Series
- Wear Rings
- Bonded Seals
- Valve Seals
- Wiper Seals
- Hydraulic Seals
- Pneumatic Seals



Approved

Manufacturing Process System

- ⦿ AS9100D (Aerospace industry approved)
- ⦿ IATF 16949:2016
- ⦿ ISO 9001:2015
- ⦿ ISO 13485:2016 (medical industry non-implantable approved)
- ⦿ ISO 14001:2015
- ⦿ ISO 45001:2018
- ⦿ ISO 14064-1:2018
- ⦿ TAF Approved In-House Lab with Integrated Equipment



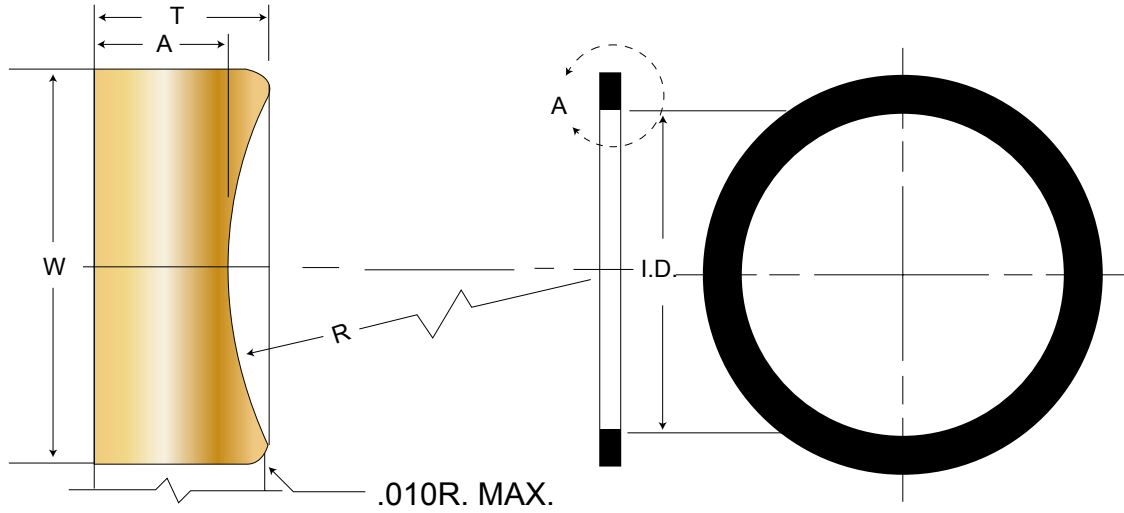
Material Certification

- | | |
|---|---|
| ⦿ NSF 61 (USA Drinking Water) | ⦿ UL 1238 (Flammable Liquid Dispensing Devices) |
| ⦿ NSF 42 (USA Drinking Water) | ⦿ API 6A (H2S Sour Gas Resistance) |
| ⦿ WRAS (UK Drinking Water) | ⦿ DIN EN 549 (Pipes, Gas Appliances) |
| ⦿ ACS (France Drinking Water) | ⦿ NORSOK M-710 (ISO 23936) (RGD Material Certified) |
| ⦿ W-270 (Germany Drinking Water) | ⦿ NACE TM0297(RGD Material Certified) |
| ⦿ KTW (Germany Drinking Water) | ⦿ Total EP PVV 142 (Rapid Gas Decompression) |
| ⦿ AS/NZS 4020 (Australian Drinking Water) | ⦿ ROHS 3 EU Directive 2015/863/EU |
| ⦿ USP VI (USA Biological Reactivity Test) | ⦿ REACH SVHC |
| ⦿ UL 157 (Automotive, Gasoline) | ⦿ ADI FREE |
-
- | | | |
|--------------------|-------------------------|--------------------|
| ⦿ General Industry | ⦿ Food | ⦿ Renewable Energy |
| ⦿ Automotive | ⦿ Hydraulic & Pneumatic | ⦿ Medical |
| ⦿ Semi-conductor | ⦿ Aerospace | ⦿ Agriculture |
| ⦿ Drinking Water | ⦿ Oil & Gas | |



Back-Up Ring Design Reference

BACK-UP RING



Back-Up Ring Design Reference

| Size | | Tolerance in mm | | | | | | |
|------|------|-----------------|-----------|--------------|-----------|------|-----------|------|
| | | W. | TOL. ± | T. (REF.) | TOL. ± | A. | TOL. ± | R |
| From | To | | | | | | | |
| -004 | -050 | 1.35 | 0.08 | 1.20 | 0.08 | 1.14 | 0.08 | 2.21 |
| -102 | -178 | 2.18 | 0.08 | 1.28 | 0.08 | 1.14 | 0.08 | 3.28 |
| -201 | -284 | 3.00 | 0.10 | 1.23 | 0.08 | 1.02 | 0.08 | 4.42 |
| -309 | -395 | 4.65 | 0.13 | 1.88 | 0.10 | 1.52 | 0.10 | 6.65 |
| -425 | -475 | 5.99 | 0.15 | 2.97 | 0.13 | 2.44 | 0.13 | 8.74 |

Back-Up Ring Standard Size

| Back-Up Ring Standard Size | | | | | | | | | | | |
|----------------------------|-----------------------------|-------|-------------|------|------|------|------|------|------|------|------|
| Back-Up Ring SIZE | MEASUREMENTS IN MILLIMETERS | | | | | | | | | | |
| | ID | NBR ± | FKM ± | W | ± | T | ± | A | ± | R | ± |
| R0004 | 2.44 | 0.13 | +0.13/-0.13 | 1.35 | 0.08 | 1.20 | 0.08 | 1.14 | 0.08 | 2.21 | 0.25 |
| R0005 | 3.23 | 0.13 | +0.13/-0.14 | 1.35 | 0.08 | 1.20 | 0.08 | 1.14 | 0.08 | 2.21 | 0.25 |
| R0006 | 3.56 | 0.13 | +0.13/-0.14 | 1.35 | 0.08 | 1.20 | 0.08 | 1.14 | 0.08 | 2.21 | 0.25 |
| R0007 | 4.34 | 0.13 | +0.13/-0.14 | 1.35 | 0.08 | 1.20 | 0.08 | 1.14 | 0.08 | 2.21 | 0.25 |
| R0008 | 5.13 | 0.13 | +0.13/-0.14 | 1.35 | 0.08 | 1.20 | 0.08 | 1.14 | 0.08 | 2.21 | 0.25 |
| R0009 | 5.94 | 0.13 | +0.13/-0.14 | 1.35 | 0.08 | 1.20 | 0.08 | 1.14 | 0.08 | 2.21 | 0.25 |
| R0010 | 6.73 | 0.13 | +0.13/-0.15 | 1.35 | 0.08 | 1.20 | 0.08 | 1.14 | 0.08 | 2.21 | 0.25 |
| R0011 | 8.31 | 0.13 | +0.13/-0.15 | 1.35 | 0.08 | 1.20 | 0.08 | 1.14 | 0.08 | 2.21 | 0.25 |
| R0012 | 9.91 | 0.13 | +0.13/-0.16 | 1.35 | 0.08 | 1.20 | 0.08 | 1.14 | 0.08 | 2.21 | 0.25 |
| R0013 | 11.56 | 0.13 | +0.13/-0.16 | 1.35 | 0.08 | 1.20 | 0.08 | 1.14 | 0.08 | 2.21 | 0.25 |
| R0014 | 13.16 | 0.13 | +0.13/-0.17 | 1.35 | 0.08 | 1.20 | 0.08 | 1.14 | 0.08 | 2.21 | 0.25 |
| R0015 | 14.73 | 0.18 | +0.18/-0.22 | 1.35 | 0.08 | 1.20 | 0.08 | 1.14 | 0.08 | 2.21 | 0.25 |
| R0016 | 16.33 | 0.23 | +0.23/-0.28 | 1.35 | 0.08 | 1.20 | 0.08 | 1.14 | 0.08 | 2.21 | 0.25 |
| R0017 | 17.91 | 0.23 | +0.23/-0.28 | 1.35 | 0.08 | 1.20 | 0.08 | 1.14 | 0.08 | 2.21 | 0.25 |
| R0018 | 19.51 | 0.23 | +0.23/-0.29 | 1.35 | 0.08 | 1.20 | 0.08 | 1.14 | 0.08 | 2.21 | 0.25 |
| R0019 | 21.08 | 0.23 | +0.23/-0.29 | 1.35 | 0.08 | 1.20 | 0.08 | 1.14 | 0.08 | 2.21 | 0.25 |
| R0020 | 22.68 | 0.23 | +0.23/-0.3 | 1.35 | 0.08 | 1.20 | 0.08 | 1.14 | 0.08 | 2.21 | 0.25 |
| R0021 | 24.26 | 0.23 | +0.23/-0.3 | 1.35 | 0.08 | 1.20 | 0.08 | 1.14 | 0.08 | 2.21 | 0.25 |
| R0022 | 25.86 | 0.25 | +0.25/-0.33 | 1.35 | 0.08 | 1.20 | 0.08 | 1.14 | 0.08 | 2.21 | 0.25 |
| R0023 | 27.43 | 0.25 | +0.25/-0.34 | 1.35 | 0.08 | 1.20 | 0.08 | 1.14 | 0.08 | 2.21 | 0.25 |
| R0024 | 29.03 | 0.25 | +0.25/-0.34 | 1.35 | 0.08 | 1.20 | 0.08 | 1.14 | 0.08 | 2.21 | 0.25 |
| R0025 | 30.61 | 0.28 | +0.28/-0.37 | 1.35 | 0.08 | 1.20 | 0.08 | 1.14 | 0.08 | 2.21 | 0.25 |
| R0026 | 32.21 | 0.28 | +0.28/-0.38 | 1.35 | 0.08 | 1.20 | 0.08 | 1.14 | 0.08 | 2.21 | 0.25 |
| R0027 | 33.78 | 0.28 | +0.28/-0.38 | 1.35 | 0.08 | 1.20 | 0.08 | 1.14 | 0.08 | 2.21 | 0.25 |
| R0028 | 35.38 | 0.33 | +0.33/-0.44 | 1.35 | 0.08 | 1.20 | 0.08 | 1.14 | 0.08 | 2.21 | 0.25 |
| R0029 | 38.56 | 0.33 | +0.33/-0.45 | 1.35 | 0.08 | 1.20 | 0.08 | 1.14 | 0.08 | 2.21 | 0.25 |
| R0030 | 41.73 | 0.33 | +0.33/-0.46 | 1.35 | 0.08 | 1.20 | 0.08 | 1.14 | 0.08 | 2.21 | 0.25 |
| R0031 | 44.91 | 0.38 | +0.38/-0.52 | 1.35 | 0.08 | 1.20 | 0.08 | 1.14 | 0.08 | 2.21 | 0.25 |
| R0032 | 48.09 | 0.38 | +0.38/-0.53 | 1.35 | 0.08 | 1.20 | 0.08 | 1.14 | 0.08 | 2.21 | 0.25 |
| R0033 | 51.26 | 0.46 | +0.46/-0.61 | 1.35 | 0.08 | 1.20 | 0.08 | 1.14 | 0.08 | 2.21 | 0.25 |
| R0034 | 54.43 | 0.46 | +0.46/-0.62 | 1.35 | 0.08 | 1.20 | 0.08 | 1.14 | 0.08 | 2.21 | 0.25 |
| R0035 | 57.61 | 0.46 | +0.46/-0.63 | 1.35 | 0.08 | 1.20 | 0.08 | 1.14 | 0.08 | 2.21 | 0.25 |
| R0036 | 60.78 | 0.46 | +0.46/-0.64 | 1.35 | 0.08 | 1.20 | 0.08 | 1.14 | 0.08 | 2.21 | 0.25 |
| R0037 | 63.96 | 0.46 | +0.46/-0.65 | 1.35 | 0.08 | 1.20 | 0.08 | 1.14 | 0.08 | 2.21 | 0.25 |
| R0038 | 67.13 | 0.51 | +0.51/-0.71 | 1.35 | 0.08 | 1.20 | 0.08 | 1.14 | 0.08 | 2.21 | 0.25 |
| R0039 | 70.31 | 0.51 | +0.51/-0.72 | 1.35 | 0.08 | 1.20 | 0.08 | 1.14 | 0.08 | 2.21 | 0.25 |
| R0040 | 73.48 | 0.51 | +0.51/-0.73 | 1.35 | 0.08 | 1.20 | 0.08 | 1.14 | 0.08 | 2.21 | 0.25 |
| R0041 | 76.66 | 0.61 | +0.61/-0.84 | 1.35 | 0.08 | 1.20 | 0.08 | 1.14 | 0.08 | 2.21 | 0.25 |
| R0042 | 83.01 | 0.61 | +0.61/-0.86 | 1.35 | 0.08 | 1.20 | 0.08 | 1.14 | 0.08 | 2.21 | 0.25 |
| R0043 | 89.36 | 0.61 | +0.61/-0.88 | 1.35 | 0.08 | 1.20 | 0.08 | 1.14 | 0.08 | 2.21 | 0.25 |
| R0044 | 95.71 | 0.69 | +0.69/-0.97 | 1.35 | 0.08 | 1.20 | 0.08 | 1.14 | 0.08 | 2.21 | 0.25 |
| R0045 | 102.06 | 0.69 | +0.69/-0.99 | 1.35 | 0.08 | 1.20 | 0.08 | 1.14 | 0.08 | 2.21 | 0.25 |
| R0046 | 108.41 | 0.76 | +0.76/-1.09 | 1.35 | 0.08 | 1.20 | 0.08 | 1.14 | 0.08 | 2.21 | 0.25 |
| R0047 | 114.76 | 0.76 | +0.76/-1.11 | 1.35 | 0.08 | 1.20 | 0.08 | 1.14 | 0.08 | 2.21 | 0.25 |
| R0048 | 121.11 | 0.76 | +0.76/-1.13 | 1.35 | 0.08 | 1.20 | 0.08 | 1.14 | 0.08 | 2.21 | 0.25 |
| R0049 | 127.46 | 0.94 | +0.94/-1.32 | 1.35 | 0.08 | 1.20 | 0.08 | 1.14 | 0.08 | 2.21 | 0.25 |
| R0050 | 133.81 | 0.94 | +0.94/-1.34 | 1.35 | 0.08 | 1.20 | 0.08 | 1.14 | 0.08 | 2.21 | 0.25 |
| R0102 | 1.96 | 0.13 | +0.13/-0.13 | 2.18 | 0.08 | 1.28 | 0.08 | 1.14 | 0.08 | 3.28 | 0.25 |
| R0103 | 2.77 | 0.13 | +0.13/-0.14 | 2.18 | 0.08 | 1.28 | 0.08 | 1.14 | 0.08 | 3.28 | 0.25 |
| R0104 | 3.56 | 0.13 | +0.13/-0.14 | 2.18 | 0.08 | 1.28 | 0.08 | 1.14 | 0.08 | 3.28 | 0.25 |
| R0105 | 4.34 | 0.13 | +0.13/-0.14 | 2.18 | 0.08 | 1.28 | 0.08 | 1.14 | 0.08 | 3.28 | 0.25 |
| R0106 | 5.13 | 0.13 | +0.13/-0.14 | 2.18 | 0.08 | 1.28 | 0.08 | 1.14 | 0.08 | 3.28 | 0.25 |
| R0107 | 5.94 | 0.13 | +0.13/-0.14 | 2.18 | 0.08 | 1.28 | 0.08 | 1.14 | 0.08 | 3.28 | 0.25 |

Back-Up Ring Standard Size

Back-Up Ring Standard Size

| Back-Up Ring SIZE | MEASUREMENTS IN MILLIMETERS | | | | | | | | | | |
|-------------------|-----------------------------|-------|-------------|------|------|------|------|------|------|------|------|
| | ID | NBR ± | FKM ± | W | ± | T | ± | A | ± | R | ± |
| R0108 | 6.73 | 0.13 | +0.13/-0.15 | 2.18 | 0.08 | 1.28 | 0.08 | 1.14 | 0.08 | 3.28 | 0.25 |
| R0109 | 8.31 | 0.13 | +0.13/-0.15 | 2.18 | 0.08 | 1.28 | 0.08 | 1.14 | 0.08 | 3.28 | 0.25 |
| R0110 | 9.91 | 0.13 | +0.13/-0.16 | 2.18 | 0.08 | 1.28 | 0.08 | 1.14 | 0.08 | 3.28 | 0.25 |
| R0111 | 11.48 | 0.13 | +0.13/-0.16 | 2.18 | 0.08 | 1.28 | 0.08 | 1.14 | 0.08 | 3.28 | 0.25 |
| R0112 | 13.08 | 0.13 | +0.13/-0.17 | 2.18 | 0.08 | 1.28 | 0.08 | 1.14 | 0.08 | 3.28 | 0.25 |
| R0113 | 14.66 | 0.18 | +0.18/-0.22 | 2.18 | 0.08 | 1.28 | 0.08 | 1.14 | 0.08 | 3.28 | 0.25 |
| R0114 | 16.26 | 0.23 | +0.23/-0.28 | 2.18 | 0.08 | 1.28 | 0.08 | 1.14 | 0.08 | 3.28 | 0.25 |
| R0115 | 17.83 | 0.23 | +0.23/-0.28 | 2.18 | 0.08 | 1.28 | 0.08 | 1.14 | 0.08 | 3.28 | 0.25 |
| R0116 | 19.43 | 0.23 | +0.23/-0.29 | 2.18 | 0.08 | 1.28 | 0.08 | 1.14 | 0.08 | 3.28 | 0.25 |
| R0117 | 21.11 | 0.25 | +0.25/-0.32 | 2.18 | 0.08 | 1.28 | 0.08 | 1.14 | 0.08 | 3.28 | 0.25 |
| R0118 | 22.68 | 0.25 | +0.25/-0.32 | 2.18 | 0.08 | 1.28 | 0.08 | 1.14 | 0.08 | 3.28 | 0.25 |
| R0119 | 24.28 | 0.25 | +0.25/-0.33 | 2.18 | 0.08 | 1.28 | 0.08 | 1.14 | 0.08 | 3.28 | 0.25 |
| R0120 | 25.86 | 0.25 | +0.25/-0.33 | 2.18 | 0.08 | 1.28 | 0.08 | 1.14 | 0.08 | 3.28 | 0.25 |
| R0121 | 27.46 | 0.25 | +0.25/-0.34 | 2.18 | 0.08 | 1.28 | 0.08 | 1.14 | 0.08 | 3.28 | 0.25 |
| R0122 | 29.03 | 0.25 | +0.25/-0.34 | 2.18 | 0.08 | 1.28 | 0.08 | 1.14 | 0.08 | 3.28 | 0.25 |
| R0123 | 30.63 | 0.30 | +0.3/-0.4 | 2.18 | 0.08 | 1.28 | 0.08 | 1.14 | 0.08 | 3.28 | 0.25 |
| R0124 | 32.21 | 0.30 | +0.3/-0.4 | 2.18 | 0.08 | 1.28 | 0.08 | 1.14 | 0.08 | 3.28 | 0.25 |
| R0125 | 33.81 | 0.30 | +0.3/-0.41 | 2.18 | 0.08 | 1.28 | 0.08 | 1.14 | 0.08 | 3.28 | 0.25 |
| R0126 | 35.38 | 0.30 | +0.3/-0.41 | 2.18 | 0.08 | 1.28 | 0.08 | 1.14 | 0.08 | 3.28 | 0.25 |
| R0127 | 36.98 | 0.30 | +0.3/-0.42 | 2.18 | 0.08 | 1.28 | 0.08 | 1.14 | 0.08 | 3.28 | 0.25 |
| R0128 | 38.56 | 0.30 | +0.3/-0.42 | 2.18 | 0.08 | 1.28 | 0.08 | 1.14 | 0.08 | 3.28 | 0.25 |
| R0129 | 40.16 | 0.38 | +0.38/-0.5 | 2.18 | 0.08 | 1.28 | 0.08 | 1.14 | 0.08 | 3.28 | 0.25 |
| R0130 | 41.73 | 0.38 | +0.38/-0.51 | 2.18 | 0.08 | 1.28 | 0.08 | 1.14 | 0.08 | 3.28 | 0.25 |
| R0131 | 43.33 | 0.38 | +0.38/-0.51 | 2.18 | 0.08 | 1.28 | 0.08 | 1.14 | 0.08 | 3.28 | 0.25 |
| R0132 | 44.91 | 0.38 | +0.38/-0.52 | 2.18 | 0.08 | 1.28 | 0.08 | 1.14 | 0.08 | 3.28 | 0.25 |
| R0133 | 46.51 | 0.38 | +0.38/-0.52 | 2.18 | 0.08 | 1.28 | 0.08 | 1.14 | 0.08 | 3.28 | 0.25 |
| R0134 | 48.08 | 0.38 | +0.38/-0.53 | 2.18 | 0.08 | 1.28 | 0.08 | 1.14 | 0.08 | 3.28 | 0.25 |
| R0135 | 49.68 | 0.43 | +0.43/-0.58 | 2.18 | 0.08 | 1.28 | 0.08 | 1.14 | 0.08 | 3.28 | 0.25 |
| R0136 | 51.26 | 0.43 | +0.43/-0.59 | 2.18 | 0.08 | 1.28 | 0.08 | 1.14 | 0.08 | 3.28 | 0.25 |
| R0137 | 52.86 | 0.43 | +0.43/-0.59 | 2.18 | 0.08 | 1.28 | 0.08 | 1.14 | 0.08 | 3.28 | 0.25 |
| R0138 | 54.43 | 0.43 | +0.43/-0.6 | 2.18 | 0.08 | 1.28 | 0.08 | 1.14 | 0.08 | 3.28 | 0.25 |
| R0139 | 56.03 | 0.43 | +0.43/-0.6 | 2.18 | 0.08 | 1.28 | 0.08 | 1.14 | 0.08 | 3.28 | 0.25 |
| R0140 | 57.61 | 0.43 | +0.43/-0.6 | 2.18 | 0.08 | 1.28 | 0.08 | 1.14 | 0.08 | 3.28 | 0.25 |
| R0141 | 59.21 | 0.51 | +0.51/-0.69 | 2.18 | 0.08 | 1.28 | 0.08 | 1.14 | 0.08 | 3.28 | 0.25 |
| R0142 | 60.78 | 0.51 | +0.51/-0.69 | 2.18 | 0.08 | 1.28 | 0.08 | 1.14 | 0.08 | 3.28 | 0.25 |
| R0143 | 62.38 | 0.51 | +0.51/-0.7 | 2.18 | 0.08 | 1.28 | 0.08 | 1.14 | 0.08 | 3.28 | 0.25 |
| R0144 | 63.96 | 0.51 | +0.51/-0.7 | 2.18 | 0.08 | 1.28 | 0.08 | 1.14 | 0.08 | 3.28 | 0.25 |
| R0145 | 65.56 | 0.51 | +0.51/-0.7 | 2.18 | 0.08 | 1.28 | 0.08 | 1.14 | 0.08 | 3.28 | 0.25 |
| R0146 | 67.13 | 0.51 | +0.51/-0.71 | 2.18 | 0.08 | 1.28 | 0.08 | 1.14 | 0.08 | 3.28 | 0.25 |
| R0147 | 68.73 | 0.56 | +0.56/-0.76 | 2.18 | 0.08 | 1.28 | 0.08 | 1.14 | 0.08 | 3.28 | 0.25 |
| R0148 | 70.31 | 0.56 | +0.56/-0.77 | 2.18 | 0.08 | 1.28 | 0.08 | 1.14 | 0.08 | 3.28 | 0.25 |
| R0149 | 71.91 | 0.56 | +0.56/-0.77 | 2.18 | 0.08 | 1.28 | 0.08 | 1.14 | 0.08 | 3.28 | 0.25 |
| R0150 | 73.48 | 0.56 | +0.56/-0.78 | 2.18 | 0.08 | 1.28 | 0.08 | 1.14 | 0.08 | 3.28 | 0.25 |
| R0151 | 76.66 | 0.61 | +0.61/-0.84 | 2.18 | 0.08 | 1.28 | 0.08 | 1.14 | 0.08 | 3.28 | 0.25 |
| R0152 | 83.01 | 0.61 | +0.61/-0.86 | 2.18 | 0.08 | 1.28 | 0.08 | 1.14 | 0.08 | 3.28 | 0.25 |
| R0153 | 89.36 | 0.61 | +0.61/-0.88 | 2.18 | 0.08 | 1.28 | 0.08 | 1.14 | 0.08 | 3.28 | 0.25 |
| R0154 | 95.71 | 0.71 | +0.71/-1 | 2.18 | 0.08 | 1.28 | 0.08 | 1.14 | 0.08 | 3.28 | 0.25 |
| R0155 | 102.06 | 0.71 | +0.71/-1.02 | 2.18 | 0.08 | 1.28 | 0.08 | 1.14 | 0.08 | 3.28 | 0.25 |
| R0156 | 108.41 | 0.76 | +0.76/-1.09 | 2.18 | 0.08 | 1.28 | 0.08 | 1.14 | 0.08 | 3.28 | 0.25 |
| R0157 | 114.76 | 0.76 | +0.76/-1.11 | 2.18 | 0.08 | 1.28 | 0.08 | 1.14 | 0.08 | 3.28 | 0.25 |
| R0158 | 121.11 | 0.76 | +0.76/-1.13 | 2.18 | 0.08 | 1.28 | 0.08 | 1.14 | 0.08 | 3.28 | 0.25 |
| R0159 | 127.46 | 0.89 | +0.89/-1.27 | 2.18 | 0.08 | 1.28 | 0.08 | 1.14 | 0.08 | 3.28 | 0.25 |
| R0160 | 133.81 | 0.89 | +0.89/-1.29 | 2.18 | 0.08 | 1.28 | 0.08 | 1.14 | 0.08 | 3.28 | 0.25 |
| R0161 | 140.16 | 0.89 | +0.89/-1.31 | 2.18 | 0.08 | 1.28 | 0.08 | 1.14 | 0.08 | 3.28 | 0.25 |

Back-Up Ring Standard Size

Back-Up Ring Standard Size

| Back-Up Ring SIZE | MEASUREMENTS IN MILLIMETERS | | | | | | | | | | |
|-------------------|-----------------------------|-------|-------------|------|------|------|------|------|------|------|------|
| | ID | NBR ± | FKM ± | W | ± | T | ± | A | ± | R | ± |
| R0162 | 146.51 | 0.89 | +0.89/-1.33 | 2.18 | 0.08 | 1.28 | 0.08 | 1.14 | 0.08 | 3.28 | 0.25 |
| R0163 | 152.86 | 0.89 | +0.89/-1.35 | 2.18 | 0.08 | 1.28 | 0.08 | 1.14 | 0.08 | 3.28 | 0.25 |
| R0164 | 159.21 | 1.02 | +1.02/-1.49 | 2.18 | 0.08 | 1.28 | 0.08 | 1.14 | 0.08 | 3.28 | 0.25 |
| R0165 | 165.56 | 1.02 | +1.02/-1.51 | 2.18 | 0.08 | 1.28 | 0.08 | 1.14 | 0.08 | 3.28 | 0.25 |
| R0166 | 171.91 | 1.02 | +1.02/-1.53 | 2.18 | 0.08 | 1.28 | 0.08 | 1.14 | 0.08 | 3.28 | 0.25 |
| R0167 | 178.26 | 1.02 | +1.02/-1.55 | 2.18 | 0.08 | 1.28 | 0.08 | 1.14 | 0.08 | 3.28 | 0.25 |
| R0168 | 184.61 | 1.14 | +1.14/-1.7 | 2.18 | 0.08 | 1.28 | 0.08 | 1.14 | 0.08 | 3.28 | 0.25 |
| R0169 | 190.96 | 1.14 | +1.14/-1.72 | 2.18 | 0.08 | 1.28 | 0.08 | 1.14 | 0.08 | 3.28 | 0.25 |
| R0170 | 197.31 | 1.14 | +1.14/-1.73 | 2.18 | 0.08 | 1.28 | 0.08 | 1.14 | 0.08 | 3.28 | 0.25 |
| R0171 | 203.66 | 1.14 | +1.14/-1.75 | 2.18 | 0.08 | 1.28 | 0.08 | 1.14 | 0.08 | 3.28 | 0.25 |
| R0172 | 210.01 | 1.27 | +1.27/-1.9 | 2.18 | 0.08 | 1.28 | 0.08 | 1.14 | 0.08 | 3.28 | 0.25 |
| R0173 | 216.36 | 1.27 | +1.27/-1.92 | 2.18 | 0.08 | 1.28 | 0.08 | 1.14 | 0.08 | 3.28 | 0.25 |
| R0174 | 222.71 | 1.27 | +1.27/-1.94 | 2.18 | 0.08 | 1.28 | 0.08 | 1.14 | 0.08 | 3.28 | 0.25 |
| R0175 | 229.06 | 1.27 | +1.27/-1.96 | 2.18 | 0.08 | 1.28 | 0.08 | 1.14 | 0.08 | 3.28 | 0.25 |
| R0176 | 235.41 | 1.40 | +1.4/-2.1 | 2.18 | 0.08 | 1.28 | 0.08 | 1.14 | 0.08 | 3.28 | 0.25 |
| R0177 | 241.76 | 1.40 | +1.4/-2.12 | 2.18 | 0.08 | 1.28 | 0.08 | 1.14 | 0.08 | 3.28 | 0.25 |
| R0178 | 248.11 | 1.40 | +1.4/-2.14 | 2.18 | 0.08 | 1.28 | 0.08 | 1.14 | 0.08 | 3.28 | 0.25 |
| R0201 | 5.13 | 0.13 | +0.13/-0.14 | 3.00 | 0.10 | 1.23 | 0.08 | 1.02 | 0.08 | 4.42 | 0.25 |
| R0202 | 6.73 | 0.13 | +0.13/-0.15 | 3.00 | 0.10 | 1.23 | 0.08 | 1.02 | 0.08 | 4.42 | 0.25 |
| R0203 | 8.31 | 0.13 | +0.13/-0.15 | 3.00 | 0.10 | 1.23 | 0.08 | 1.02 | 0.08 | 4.42 | 0.25 |
| R0204 | 9.91 | 0.13 | +0.13/-0.16 | 3.00 | 0.10 | 1.23 | 0.08 | 1.02 | 0.08 | 4.42 | 0.25 |
| R0205 | 11.56 | 0.13 | +0.13/-0.16 | 3.00 | 0.10 | 1.23 | 0.08 | 1.02 | 0.08 | 4.42 | 0.25 |
| R0206 | 13.16 | 0.13 | +0.13/-0.17 | 3.00 | 0.10 | 1.23 | 0.08 | 1.02 | 0.08 | 4.42 | 0.25 |
| R0207 | 14.73 | 0.18 | +0.18/-0.22 | 3.00 | 0.10 | 1.23 | 0.08 | 1.02 | 0.08 | 4.42 | 0.25 |
| R0208 | 16.33 | 0.23 | +0.23/-0.28 | 3.00 | 0.10 | 1.23 | 0.08 | 1.02 | 0.08 | 4.42 | 0.25 |
| R0209 | 17.91 | 0.23 | +0.23/-0.28 | 3.00 | 0.10 | 1.23 | 0.08 | 1.02 | 0.08 | 4.42 | 0.25 |
| R0210 | 19.46 | 0.25 | +0.25/-0.31 | 3.00 | 0.10 | 1.23 | 0.08 | 1.02 | 0.08 | 4.42 | 0.25 |
| R0211 | 21.03 | 0.25 | +0.25/-0.32 | 3.00 | 0.10 | 1.23 | 0.08 | 1.02 | 0.08 | 4.42 | 0.25 |
| R0212 | 22.63 | 0.25 | +0.25/-0.32 | 3.00 | 0.10 | 1.23 | 0.08 | 1.02 | 0.08 | 4.42 | 0.25 |
| R0213 | 24.21 | 0.25 | +0.25/-0.33 | 3.00 | 0.10 | 1.23 | 0.08 | 1.02 | 0.08 | 4.42 | 0.25 |
| R0214 | 25.81 | 0.25 | +0.25/-0.33 | 3.00 | 0.10 | 1.23 | 0.08 | 1.02 | 0.08 | 4.42 | 0.25 |
| R0215 | 27.38 | 0.25 | +0.25/-0.34 | 3.00 | 0.10 | 1.23 | 0.08 | 1.02 | 0.08 | 4.42 | 0.25 |
| R0216 | 28.98 | 0.30 | +0.3/-0.39 | 3.00 | 0.10 | 1.23 | 0.08 | 1.02 | 0.08 | 4.42 | 0.25 |
| R0217 | 30.56 | 0.30 | +0.3/-0.4 | 3.00 | 0.10 | 1.23 | 0.08 | 1.02 | 0.08 | 4.42 | 0.25 |
| R0218 | 32.16 | 0.30 | +0.3/-0.4 | 3.00 | 0.10 | 1.23 | 0.08 | 1.02 | 0.08 | 4.42 | 0.25 |
| R0219 | 33.88 | 0.30 | +0.3/-0.41 | 3.00 | 0.10 | 1.23 | 0.08 | 1.02 | 0.08 | 4.42 | 0.25 |
| R0220 | 35.48 | 0.30 | +0.3/-0.41 | 3.00 | 0.10 | 1.23 | 0.08 | 1.02 | 0.08 | 4.42 | 0.25 |
| R0221 | 37.06 | 0.30 | +0.3/-0.42 | 3.00 | 0.10 | 1.23 | 0.08 | 1.02 | 0.08 | 4.42 | 0.25 |
| R0222 | 38.66 | 0.38 | +0.38/-0.5 | 3.00 | 0.10 | 1.23 | 0.08 | 1.02 | 0.08 | 4.42 | 0.25 |
| R0223 | 41.83 | 0.38 | +0.38/-0.51 | 3.00 | 0.10 | 1.23 | 0.08 | 1.02 | 0.08 | 4.42 | 0.25 |
| R0224 | 45.01 | 0.38 | +0.38/-0.52 | 3.00 | 0.10 | 1.23 | 0.08 | 1.02 | 0.08 | 4.42 | 0.25 |
| R0225 | 48.18 | 0.46 | +0.46/-0.6 | 3.00 | 0.10 | 1.23 | 0.08 | 1.02 | 0.08 | 4.42 | 0.25 |
| R0226 | 51.36 | 0.46 | +0.46/-0.61 | 3.00 | 0.10 | 1.23 | 0.08 | 1.02 | 0.08 | 4.42 | 0.25 |
| R0227 | 54.53 | 0.46 | +0.46/-0.62 | 3.00 | 0.10 | 1.23 | 0.08 | 1.02 | 0.08 | 4.42 | 0.25 |
| R0228 | 57.71 | 0.51 | +0.51/-0.68 | 3.00 | 0.10 | 1.23 | 0.08 | 1.02 | 0.08 | 4.42 | 0.25 |
| R0229 | 60.88 | 0.51 | +0.51/-0.69 | 3.00 | 0.10 | 1.23 | 0.08 | 1.02 | 0.08 | 4.42 | 0.25 |
| R0230 | 64.06 | 0.51 | +0.51/-0.7 | 3.00 | 0.10 | 1.23 | 0.08 | 1.02 | 0.08 | 4.42 | 0.25 |
| R0231 | 66.83 | 0.51 | +0.51/-0.71 | 3.00 | 0.10 | 1.23 | 0.08 | 1.02 | 0.08 | 4.42 | 0.25 |
| R0232 | 70 | 0.61 | +0.61/-0.82 | 3.00 | 0.10 | 1.23 | 0.08 | 1.02 | 0.08 | 4.42 | 0.25 |
| R0233 | 73.18 | 0.61 | +0.61/-0.83 | 3.00 | 0.10 | 1.23 | 0.08 | 1.02 | 0.08 | 4.42 | 0.25 |
| R0234 | 76.35 | 0.61 | +0.61/-0.84 | 3.00 | 0.10 | 1.23 | 0.08 | 1.02 | 0.08 | 4.42 | 0.25 |
| R0235 | 79.53 | 0.61 | +0.61/-0.85 | 3.00 | 0.10 | 1.23 | 0.08 | 1.02 | 0.08 | 4.42 | 0.25 |
| R0236 | 82.7 | 0.61 | +0.61/-0.86 | 3.00 | 0.10 | 1.23 | 0.08 | 1.02 | 0.08 | 4.42 | 0.25 |
| R0237 | 85.88 | 0.61 | +0.61/-0.87 | 3.00 | 0.10 | 1.23 | 0.08 | 1.02 | 0.08 | 4.42 | 0.25 |

Back-Up Ring Standard Size

Back-Up Ring Standard Size

| Back-Up Ring SIZE | MEASUREMENTS IN MILLIMETERS | | | | | | | | | | |
|-------------------|-----------------------------|-------|-------------|------|------|------|------|------|------|------|------|
| | ID | NBR ± | FKM ± | W | ± | T | ± | A | ± | R | ± |
| R0238 | 89.05 | 0.61 | +0.61/-0.88 | 3.00 | 0.10 | 1.23 | 0.08 | 1.02 | 0.08 | 4.42 | 0.25 |
| R0239 | 92.23 | 0.71 | +0.71/-0.99 | 3.00 | 0.10 | 1.23 | 0.08 | 1.02 | 0.08 | 4.42 | 0.25 |
| R0240 | 95.4 | 0.71 | +0.71/-1 | 3.00 | 0.10 | 1.23 | 0.08 | 1.02 | 0.08 | 4.42 | 0.25 |
| R0241 | 98.58 | 0.71 | +0.71/-1.01 | 3.00 | 0.10 | 1.23 | 0.08 | 1.02 | 0.08 | 4.42 | 0.25 |
| R0242 | 101.75 | 0.71 | +0.71/-1.02 | 3.00 | 0.10 | 1.23 | 0.08 | 1.02 | 0.08 | 4.42 | 0.25 |
| R0243 | 104.93 | 0.71 | +0.71/-1.03 | 3.00 | 0.10 | 1.23 | 0.08 | 1.02 | 0.08 | 4.42 | 0.25 |
| R0244 | 108.1 | 0.76 | +0.76/-1.09 | 3.00 | 0.10 | 1.23 | 0.08 | 1.02 | 0.08 | 4.42 | 0.25 |
| R0245 | 111.28 | 0.76 | +0.76/-1.1 | 3.00 | 0.10 | 1.23 | 0.08 | 1.02 | 0.08 | 4.42 | 0.25 |
| R0246 | 114.45 | 0.76 | +0.76/-1.11 | 3.00 | 0.10 | 1.23 | 0.08 | 1.02 | 0.08 | 4.42 | 0.25 |
| R0247 | 117.63 | 0.76 | +0.76/-1.11 | 3.00 | 0.10 | 1.23 | 0.08 | 1.02 | 0.08 | 4.42 | 0.25 |
| R0248 | 121.11 | 0.76 | +0.76/-1.13 | 3.00 | 0.10 | 1.23 | 0.08 | 1.02 | 0.08 | 4.42 | 0.25 |
| R0249 | 124.28 | 0.89 | +0.89/-1.26 | 3.00 | 0.10 | 1.23 | 0.08 | 1.02 | 0.08 | 4.42 | 0.25 |
| R0250 | 127.46 | 0.89 | +0.89/-1.27 | 3.00 | 0.10 | 1.23 | 0.08 | 1.02 | 0.08 | 4.42 | 0.25 |
| R0251 | 130.63 | 0.89 | +0.89/-1.28 | 3.00 | 0.10 | 1.23 | 0.08 | 1.02 | 0.08 | 4.42 | 0.25 |
| R0252 | 133.81 | 0.89 | +0.89/-1.29 | 3.00 | 0.10 | 1.23 | 0.08 | 1.02 | 0.08 | 4.42 | 0.25 |
| R0253 | 136.98 | 0.89 | +0.89/-1.3 | 3.00 | 0.10 | 1.23 | 0.08 | 1.02 | 0.08 | 4.42 | 0.25 |
| R0254 | 140.16 | 0.89 | +0.89/-1.31 | 3.00 | 0.10 | 1.23 | 0.08 | 1.02 | 0.08 | 4.42 | 0.25 |
| R0255 | 143.33 | 0.89 | +0.89/-1.32 | 3.00 | 0.10 | 1.23 | 0.08 | 1.02 | 0.08 | 4.42 | 0.25 |
| R0256 | 146.51 | 0.89 | +0.89/-1.33 | 3.00 | 0.10 | 1.23 | 0.08 | 1.02 | 0.08 | 4.42 | 0.25 |
| R0257 | 149.68 | 0.89 | +0.89/-1.34 | 3.00 | 0.10 | 1.23 | 0.08 | 1.02 | 0.08 | 4.42 | 0.25 |
| R0258 | 152.86 | 0.89 | +0.89/-1.35 | 3.00 | 0.10 | 1.23 | 0.08 | 1.02 | 0.08 | 4.42 | 0.25 |
| R0259 | 159.21 | 1.02 | +1.02/-1.49 | 3.00 | 0.10 | 1.23 | 0.08 | 1.02 | 0.08 | 4.42 | 0.25 |
| R0260 | 165.56 | 1.02 | +1.02/-1.51 | 3.00 | 0.10 | 1.23 | 0.08 | 1.02 | 0.08 | 4.42 | 0.25 |
| R0261 | 171.91 | 1.02 | +1.02/-1.53 | 3.00 | 0.10 | 1.23 | 0.08 | 1.02 | 0.08 | 4.42 | 0.25 |
| R0262 | 178.26 | 1.02 | +1.02/-1.55 | 3.00 | 0.10 | 1.23 | 0.08 | 1.02 | 0.08 | 4.42 | 0.25 |
| R0263 | 184.61 | 1.14 | +1.14/-1.7 | 3.00 | 0.10 | 1.23 | 0.08 | 1.02 | 0.08 | 4.42 | 0.25 |
| R0264 | 190.96 | 1.14 | +1.14/-1.72 | 3.00 | 0.10 | 1.23 | 0.08 | 1.02 | 0.08 | 4.42 | 0.25 |
| R0265 | 197.31 | 1.14 | +1.14/-1.73 | 3.00 | 0.10 | 1.23 | 0.08 | 1.02 | 0.08 | 4.42 | 0.25 |
| R0266 | 203.66 | 1.14 | +1.14/-1.75 | 3.00 | 0.10 | 1.23 | 0.08 | 1.02 | 0.08 | 4.42 | 0.25 |
| R0267 | 210.01 | 1.27 | +1.27/-1.9 | 3.00 | 0.10 | 1.23 | 0.08 | 1.02 | 0.08 | 4.42 | 0.25 |
| R0268 | 216.36 | 1.27 | +1.27/-1.92 | 3.00 | 0.10 | 1.23 | 0.08 | 1.02 | 0.08 | 4.42 | 0.25 |
| R0269 | 222.71 | 1.27 | +1.27/-1.94 | 3.00 | 0.10 | 1.23 | 0.08 | 1.02 | 0.08 | 4.42 | 0.25 |
| R0270 | 229.06 | 1.27 | +1.27/-1.96 | 3.00 | 0.10 | 1.23 | 0.08 | 1.02 | 0.08 | 4.42 | 0.25 |
| R0271 | 235.41 | 1.40 | +1.4/-2.1 | 3.00 | 0.10 | 1.23 | 0.08 | 1.02 | 0.08 | 4.42 | 0.25 |
| R0272 | 241.76 | 1.40 | +1.4/-2.12 | 3.00 | 0.10 | 1.23 | 0.08 | 1.02 | 0.08 | 4.42 | 0.25 |
| R0273 | 248.11 | 1.40 | +1.4/-2.14 | 3.00 | 0.10 | 1.23 | 0.08 | 1.02 | 0.08 | 4.42 | 0.25 |
| R0274 | 254.46 | 1.40 | +1.4/-2.16 | 3.00 | 0.10 | 1.23 | 0.08 | 1.02 | 0.08 | 4.42 | 0.25 |
| R0275 | 267.16 | 1.40 | +1.4/-2.2 | 3.00 | 0.10 | 1.23 | 0.08 | 1.02 | 0.08 | 4.42 | 0.25 |
| R0276 | 279.86 | 1.65 | +1.65/-2.49 | 3.00 | 0.10 | 1.23 | 0.08 | 1.02 | 0.08 | 4.42 | 0.25 |
| R0277 | 292.56 | 1.65 | +1.65/-2.53 | 3.00 | 0.10 | 1.23 | 0.08 | 1.02 | 0.08 | 4.42 | 0.25 |
| R0278 | 305.26 | 1.65 | +1.65/-2.57 | 3.00 | 0.10 | 1.23 | 0.08 | 1.02 | 0.08 | 4.42 | 0.25 |
| R0279 | 330.66 | 1.65 | +1.65/-2.64 | 3.00 | 0.10 | 1.23 | 0.08 | 1.02 | 0.08 | 4.42 | 0.25 |
| R0280 | 356.06 | 1.65 | +1.65/-2.72 | 3.00 | 0.10 | 1.23 | 0.08 | 1.02 | 0.08 | 4.42 | 0.25 |
| R0281 | 381.46 | 1.65 | +1.65/-2.8 | 3.00 | 0.10 | 1.23 | 0.08 | 1.02 | 0.08 | 4.42 | 0.25 |
| R0282 | 406.12 | 1.91 | +1.91/-3.12 | 3.00 | 0.10 | 1.23 | 0.08 | 1.02 | 0.08 | 4.42 | 0.25 |
| R0283 | 431.52 | 2.03 | +2.03/-3.33 | 3.00 | 0.10 | 1.23 | 0.08 | 1.02 | 0.08 | 4.42 | 0.25 |
| R0284 | 456.92 | 2.16 | +2.16/-3.53 | 3.00 | 0.10 | 1.23 | 0.08 | 1.02 | 0.08 | 4.42 | 0.25 |
| R0309 | 11.43 | 0.13 | +0.13/-0.16 | 4.65 | 0.13 | 1.88 | 0.10 | 1.52 | 0.10 | 6.65 | 0.25 |
| R0310 | 13.03 | 0.13 | +0.13/-0.17 | 4.65 | 0.13 | 1.88 | 0.10 | 1.52 | 0.10 | 6.65 | 0.25 |
| R0311 | 14.61 | 0.18 | +0.18/-0.22 | 4.65 | 0.13 | 1.88 | 0.10 | 1.52 | 0.10 | 6.65 | 0.25 |
| R0312 | 16.21 | 0.23 | +0.23/-0.28 | 4.65 | 0.13 | 1.88 | 0.10 | 1.52 | 0.10 | 6.65 | 0.25 |
| R0313 | 17.78 | 0.23 | +0.23/-0.28 | 4.65 | 0.13 | 1.88 | 0.10 | 1.52 | 0.10 | 6.65 | 0.25 |
| R0314 | 19.38 | 0.25 | +0.25/-0.31 | 4.65 | 0.13 | 1.88 | 0.10 | 1.52 | 0.10 | 6.65 | 0.25 |
| R0315 | 20.96 | 0.25 | +0.25/-0.32 | 4.65 | 0.13 | 1.88 | 0.10 | 1.52 | 0.10 | 6.65 | 0.25 |

Back-Up Ring Standard Size

Back-Up Ring Standard Size

| Back-Up Ring SIZE | MEASUREMENTS IN MILLIMETERS | | | | | | | | | | |
|-------------------|-----------------------------|-------|-------------|------|------|------|------|------|------|------|------|
| | ID | NBR ± | FKM ± | W | ± | T | ± | A | ± | R | ± |
| R0316 | 22.56 | 0.25 | +0.25/-0.32 | 4.65 | 0.13 | 1.88 | 0.10 | 1.52 | 0.10 | 6.65 | 0.25 |
| R0317 | 24.13 | 0.25 | +0.25/-0.33 | 4.65 | 0.13 | 1.88 | 0.10 | 1.52 | 0.10 | 6.65 | 0.25 |
| R0318 | 25.73 | 0.25 | +0.25/-0.33 | 4.65 | 0.13 | 1.88 | 0.10 | 1.52 | 0.10 | 6.65 | 0.25 |
| R0319 | 27.31 | 0.25 | +0.25/-0.34 | 4.65 | 0.13 | 1.88 | 0.10 | 1.52 | 0.10 | 6.65 | 0.25 |
| R0320 | 28.91 | 0.30 | +0.3/-0.39 | 4.65 | 0.13 | 1.88 | 0.10 | 1.52 | 0.10 | 6.65 | 0.25 |
| R0321 | 30.48 | 0.30 | +0.3/-0.4 | 4.65 | 0.13 | 1.88 | 0.10 | 1.52 | 0.10 | 6.65 | 0.25 |
| R0322 | 32.08 | 0.30 | +0.3/-0.4 | 4.65 | 0.13 | 1.88 | 0.10 | 1.52 | 0.10 | 6.65 | 0.25 |
| R0323 | 33.43 | 0.30 | +0.3/-0.41 | 4.65 | 0.13 | 1.88 | 0.10 | 1.52 | 0.10 | 6.65 | 0.25 |
| R0324 | 35.26 | 0.30 | +0.3/-0.41 | 4.65 | 0.13 | 1.88 | 0.10 | 1.52 | 0.10 | 6.65 | 0.25 |
| R0325 | 38.43 | 0.38 | +0.38/-0.5 | 4.65 | 0.13 | 1.88 | 0.10 | 1.52 | 0.10 | 6.65 | 0.25 |
| R0326 | 41.61 | 0.38 | +0.38/-0.51 | 4.65 | 0.13 | 1.88 | 0.10 | 1.52 | 0.10 | 6.65 | 0.25 |
| R0327 | 44.78 | 0.38 | +0.38/-0.52 | 4.65 | 0.13 | 1.88 | 0.10 | 1.52 | 0.10 | 6.65 | 0.25 |
| R0328 | 47.96 | 0.38 | +0.38/-0.52 | 4.65 | 0.13 | 1.88 | 0.10 | 1.52 | 0.10 | 6.65 | 0.25 |
| R0329 | 51.13 | 0.46 | +0.46/-0.61 | 4.65 | 0.13 | 1.88 | 0.10 | 1.52 | 0.10 | 6.65 | 0.25 |
| R0330 | 54.31 | 0.46 | +0.46/-0.62 | 4.65 | 0.13 | 1.88 | 0.10 | 1.52 | 0.10 | 6.65 | 0.25 |
| R0331 | 57.61 | 0.46 | +0.46/-0.63 | 4.65 | 0.13 | 1.88 | 0.10 | 1.52 | 0.10 | 6.65 | 0.25 |
| R0332 | 60.78 | 0.46 | +0.46/-0.64 | 4.65 | 0.13 | 1.88 | 0.10 | 1.52 | 0.10 | 6.65 | 0.25 |
| R0333 | 63.96 | 0.51 | +0.51/-0.7 | 4.65 | 0.13 | 1.88 | 0.10 | 1.52 | 0.10 | 6.65 | 0.25 |
| R0334 | 67.13 | 0.51 | +0.51/-0.71 | 4.65 | 0.13 | 1.88 | 0.10 | 1.52 | 0.10 | 6.65 | 0.25 |
| R0335 | 70.31 | 0.51 | +0.51/-0.72 | 4.65 | 0.13 | 1.88 | 0.10 | 1.52 | 0.10 | 6.65 | 0.25 |
| R0336 | 73.48 | 0.51 | +0.51/-0.73 | 4.65 | 0.13 | 1.88 | 0.10 | 1.52 | 0.10 | 6.65 | 0.25 |
| R0337 | 76.66 | 0.61 | +0.61/-0.84 | 4.65 | 0.13 | 1.88 | 0.10 | 1.52 | 0.10 | 6.65 | 0.25 |
| R0338 | 79.83 | 0.61 | +0.61/-0.85 | 4.65 | 0.13 | 1.88 | 0.10 | 1.52 | 0.10 | 6.65 | 0.25 |
| R0339 | 83.13 | 0.61 | +0.61/-0.86 | 4.65 | 0.13 | 1.88 | 0.10 | 1.52 | 0.10 | 6.65 | 0.25 |
| R0340 | 86.31 | 0.61 | +0.61/-0.87 | 4.65 | 0.13 | 1.88 | 0.10 | 1.52 | 0.10 | 6.65 | 0.25 |
| R0341 | 89.48 | 0.61 | +0.61/-0.88 | 4.65 | 0.13 | 1.88 | 0.10 | 1.52 | 0.10 | 6.65 | 0.25 |
| R0342 | 92.66 | 0.71 | +0.71/-0.99 | 4.65 | 0.13 | 1.88 | 0.10 | 1.52 | 0.10 | 6.65 | 0.25 |
| R0343 | 95.83 | 0.71 | +0.71/-1 | 4.65 | 0.13 | 1.88 | 0.10 | 1.52 | 0.10 | 6.65 | 0.25 |
| R0344 | 99.01 | 0.71 | +0.71/-1.01 | 4.65 | 0.13 | 1.88 | 0.10 | 1.52 | 0.10 | 6.65 | 0.25 |
| R0345 | 102.31 | 0.71 | +0.71/-1.02 | 4.65 | 0.13 | 1.88 | 0.10 | 1.52 | 0.10 | 6.65 | 0.25 |
| R0346 | 105.49 | 0.71 | +0.71/-1.03 | 4.65 | 0.13 | 1.88 | 0.10 | 1.52 | 0.10 | 6.65 | 0.25 |
| R0347 | 108.66 | 0.76 | +0.76/-1.09 | 4.65 | 0.13 | 1.88 | 0.10 | 1.52 | 0.10 | 6.65 | 0.25 |
| R0348 | 111.84 | 0.76 | +0.76/-1.1 | 4.65 | 0.13 | 1.88 | 0.10 | 1.52 | 0.10 | 6.65 | 0.25 |
| R0349 | 115.01 | 0.76 | +0.76/-1.11 | 4.65 | 0.13 | 1.88 | 0.10 | 1.52 | 0.10 | 6.65 | 0.25 |
| R0350 | 118.19 | 0.76 | +0.76/-1.12 | 4.65 | 0.13 | 1.88 | 0.10 | 1.52 | 0.10 | 6.65 | 0.25 |
| R0351 | 121.36 | 0.76 | +0.76/-1.13 | 4.65 | 0.13 | 1.88 | 0.10 | 1.52 | 0.10 | 6.65 | 0.25 |
| R0352 | 124.54 | 0.76 | +0.76/-1.14 | 4.65 | 0.13 | 1.88 | 0.10 | 1.52 | 0.10 | 6.65 | 0.25 |
| R0353 | 127.71 | 0.94 | +0.94/-1.32 | 4.65 | 0.13 | 1.88 | 0.10 | 1.52 | 0.10 | 6.65 | 0.25 |
| R0354 | 130.89 | 0.94 | +0.94/-1.33 | 4.65 | 0.13 | 1.88 | 0.10 | 1.52 | 0.10 | 6.65 | 0.25 |
| R0355 | 134.06 | 0.94 | +0.94/-1.34 | 4.65 | 0.13 | 1.88 | 0.10 | 1.52 | 0.10 | 6.65 | 0.25 |
| R0356 | 137.24 | 0.94 | +0.94/-1.35 | 4.65 | 0.13 | 1.88 | 0.10 | 1.52 | 0.10 | 6.65 | 0.25 |
| R0357 | 140.41 | 0.94 | +0.94/-1.36 | 4.65 | 0.13 | 1.88 | 0.10 | 1.52 | 0.10 | 6.65 | 0.25 |
| R0358 | 143.59 | 0.94 | +0.94/-1.37 | 4.65 | 0.13 | 1.88 | 0.10 | 1.52 | 0.10 | 6.65 | 0.25 |
| R0359 | 146.76 | 0.94 | +0.94/-1.38 | 4.65 | 0.13 | 1.88 | 0.10 | 1.52 | 0.10 | 6.65 | 0.25 |
| R0360 | 149.94 | 0.94 | +0.94/-1.39 | 4.65 | 0.13 | 1.88 | 0.10 | 1.52 | 0.10 | 6.65 | 0.25 |
| R0361 | 153.11 | 0.94 | +0.94/-1.4 | 4.65 | 0.13 | 1.88 | 0.10 | 1.52 | 0.10 | 6.65 | 0.25 |
| R0362 | 159.46 | 1.02 | +1.02/-1.49 | 4.65 | 0.13 | 1.88 | 0.10 | 1.52 | 0.10 | 6.65 | 0.25 |
| R0363 | 165.81 | 1.02 | +1.02/-1.51 | 4.65 | 0.13 | 1.88 | 0.10 | 1.52 | 0.10 | 6.65 | 0.25 |
| R0364 | 172.16 | 1.02 | +1.02/-1.53 | 4.65 | 0.13 | 1.88 | 0.10 | 1.52 | 0.10 | 6.65 | 0.25 |
| R0365 | 178.51 | 1.02 | +1.02/-1.55 | 4.65 | 0.13 | 1.88 | 0.10 | 1.52 | 0.10 | 6.65 | 0.25 |
| R0366 | 184.86 | 1.14 | +1.14/-1.7 | 4.65 | 0.13 | 1.88 | 0.10 | 1.52 | 0.10 | 6.65 | 0.25 |
| R0367 | 191.21 | 1.14 | +1.14/-1.72 | 4.65 | 0.13 | 1.88 | 0.10 | 1.52 | 0.10 | 6.65 | 0.25 |
| R0368 | 197.56 | 1.14 | +1.14/-1.74 | 4.65 | 0.13 | 1.88 | 0.10 | 1.52 | 0.10 | 6.65 | 0.25 |
| R0369 | 203.91 | 1.14 | +1.14/-1.75 | 4.65 | 0.13 | 1.88 | 0.10 | 1.52 | 0.10 | 6.65 | 0.25 |

Back-Up Ring Standard Size

Back-Up Ring Standard Size

Back-Up Ring Standard Size

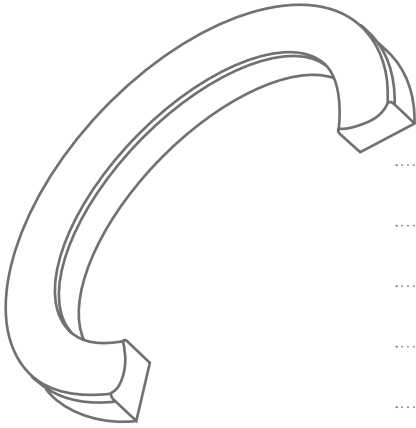
| Back-Up Ring SIZE | MEASUREMENTS IN MILLIMETERS | | | | | | | | | | |
|-------------------|-----------------------------|-------|-------------|------|------|------|------|------|------|------|------|
| | ID | NBR ± | FKM ± | W | ± | T | ± | A | ± | R | ± |
| R0369 | 203.91 | 1.14 | +1.14/-1.75 | 4.65 | 0.13 | 1.88 | 0.10 | 1.52 | 0.10 | 6.65 | 0.25 |
| R0370 | 210.26 | 1.27 | +1.27/-1.9 | 4.65 | 0.13 | 1.88 | 0.10 | 1.52 | 0.10 | 6.65 | 0.25 |
| R0371 | 216.61 | 1.27 | +1.27/-1.92 | 4.65 | 0.13 | 1.88 | 0.10 | 1.52 | 0.10 | 6.65 | 0.25 |
| R0372 | 222.96 | 1.27 | +1.27/-1.94 | 4.65 | 0.13 | 1.88 | 0.10 | 1.52 | 0.10 | 6.65 | 0.25 |
| R0373 | 229.31 | 1.27 | +1.27/-1.96 | 4.65 | 0.13 | 1.88 | 0.10 | 1.52 | 0.10 | 6.65 | 0.25 |
| R0374 | 235.66 | 1.40 | +1.4/-2.1 | 4.65 | 0.13 | 1.88 | 0.10 | 1.52 | 0.10 | 6.65 | 0.25 |
| R0375 | 242.01 | 1.40 | +1.4/-2.12 | 4.65 | 0.13 | 1.88 | 0.10 | 1.52 | 0.10 | 6.65 | 0.25 |
| R0376 | 248.36 | 1.40 | +1.4/-2.14 | 4.65 | 0.13 | 1.88 | 0.10 | 1.52 | 0.10 | 6.65 | 0.25 |
| R0377 | 254.71 | 1.40 | +1.4/-2.16 | 4.65 | 0.13 | 1.88 | 0.10 | 1.52 | 0.10 | 6.65 | 0.25 |
| R0378 | 267.41 | 1.52 | +1.52/-2.33 | 4.65 | 0.13 | 1.88 | 0.10 | 1.52 | 0.10 | 6.65 | 0.25 |
| R0379 | 280.11 | 1.52 | +1.52/-2.36 | 4.65 | 0.13 | 1.88 | 0.10 | 1.52 | 0.10 | 6.65 | 0.25 |
| R0380 | 292.81 | 1.65 | +1.65/-2.53 | 4.65 | 0.13 | 1.88 | 0.10 | 1.52 | 0.10 | 6.65 | 0.25 |
| R0381 | 305.51 | 1.65 | +1.65/-2.57 | 4.65 | 0.13 | 1.88 | 0.10 | 1.52 | 0.10 | 6.65 | 0.25 |
| R0382 | 330.91 | 1.65 | +1.65/-2.64 | 4.65 | 0.13 | 1.88 | 0.10 | 1.52 | 0.10 | 6.65 | 0.25 |
| R0383 | 356.31 | 1.78 | +1.78/-2.85 | 4.65 | 0.13 | 1.88 | 0.10 | 1.52 | 0.10 | 6.65 | 0.25 |
| R0384 | 381.71 | 1.78 | +1.78/-2.92 | 4.65 | 0.13 | 1.88 | 0.10 | 1.52 | 0.10 | 6.65 | 0.25 |
| R0385 | 406.6 | 1.91 | +1.91/-3.12 | 4.65 | 0.13 | 1.88 | 0.10 | 1.52 | 0.10 | 6.65 | 0.25 |
| R0386 | 432 | 2.03 | +2.03/-3.33 | 4.65 | 0.13 | 1.88 | 0.10 | 1.52 | 0.10 | 6.65 | 0.25 |
| R0387 | 457.4 | 2.16 | +2.16/-3.53 | 4.65 | 0.13 | 1.88 | 0.10 | 1.52 | 0.10 | 6.65 | 0.25 |
| R0388 | 482.75 | 2.29 | +2.29/-3.73 | 4.65 | 0.13 | 1.88 | 0.10 | 1.52 | 0.10 | 6.65 | 0.25 |
| R0389 | 508.15 | 2.41 | +2.41/-3.94 | 4.65 | 0.13 | 1.88 | 0.10 | 1.52 | 0.10 | 6.65 | 0.25 |
| R0390 | 533.55 | 2.41 | +2.41/-4.01 | 4.65 | 0.13 | 1.88 | 0.10 | 1.52 | 0.10 | 6.65 | 0.25 |
| R0391 | 558.95 | 2.54 | +2.54/-4.22 | 4.65 | 0.13 | 1.88 | 0.10 | 1.52 | 0.10 | 6.65 | 0.25 |
| R0392 | 584.02 | 2.67 | +2.67/-4.42 | 4.65 | 0.13 | 1.88 | 0.10 | 1.52 | 0.10 | 6.65 | 0.25 |
| R0393 | 609.42 | 2.79 | +2.79/-4.62 | 4.65 | 0.13 | 1.88 | 0.10 | 1.52 | 0.10 | 6.65 | 0.25 |
| R0394 | 634.82 | 2.92 | +2.92/-4.83 | 4.65 | 0.13 | 1.88 | 0.10 | 1.52 | 0.10 | 6.65 | 0.25 |
| R0395 | 660.22 | 3.05 | +3.05/-5.03 | 4.65 | 0.13 | 1.88 | 0.10 | 1.52 | 0.10 | 6.65 | 0.25 |
| R0425 | 115.6 | 0.84 | +0.84/-1.18 | 5.99 | 0.15 | 2.91 | 0.13 | 2.44 | 0.13 | 8.74 | 0.25 |
| R0426 | 118.77 | 0.84 | +0.84/-1.19 | 5.99 | 0.15 | 2.91 | 0.13 | 2.44 | 0.13 | 8.74 | 0.25 |
| R0427 | 121.95 | 0.84 | +0.84/-1.2 | 5.99 | 0.15 | 2.91 | 0.13 | 2.44 | 0.13 | 8.74 | 0.25 |
| R0428 | 125.12 | 0.84 | +0.84/-1.21 | 5.99 | 0.15 | 2.91 | 0.13 | 2.44 | 0.13 | 8.74 | 0.25 |
| R0429 | 128.3 | 0.94 | +0.94/-1.32 | 5.99 | 0.15 | 2.91 | 0.13 | 2.44 | 0.13 | 8.74 | 0.25 |
| R0430 | 131.47 | 0.94 | +0.94/-1.33 | 5.99 | 0.15 | 2.91 | 0.13 | 2.44 | 0.13 | 8.74 | 0.25 |
| R0431 | 134.65 | 0.94 | +0.94/-1.34 | 5.99 | 0.15 | 2.91 | 0.13 | 2.44 | 0.13 | 8.74 | 0.25 |
| R0432 | 137.82 | 0.94 | +0.94/-1.35 | 5.99 | 0.15 | 2.91 | 0.13 | 2.44 | 0.13 | 8.74 | 0.25 |
| R0433 | 141 | 0.94 | +0.94/-1.36 | 5.99 | 0.15 | 2.91 | 0.13 | 2.44 | 0.13 | 8.74 | 0.25 |
| R0434 | 144.17 | 0.94 | +0.94/-1.37 | 5.99 | 0.15 | 2.91 | 0.13 | 2.44 | 0.13 | 8.74 | 0.25 |
| R0435 | 147.35 | 0.94 | +0.94/-1.38 | 5.99 | 0.15 | 2.91 | 0.13 | 2.44 | 0.13 | 8.74 | 0.25 |
| R0436 | 150.52 | 0.94 | +0.94/-1.39 | 5.99 | 0.15 | 2.91 | 0.13 | 2.44 | 0.13 | 8.74 | 0.25 |
| R0437 | 153.7 | 0.94 | +0.94/-1.4 | 5.99 | 0.15 | 2.91 | 0.13 | 2.44 | 0.13 | 8.74 | 0.25 |
| R0438 | 159.36 | 1.02 | +1.02/-1.49 | 5.99 | 0.15 | 2.91 | 0.13 | 2.44 | 0.13 | 8.74 | 0.25 |
| R0439 | 165.71 | 1.02 | +1.02/-1.51 | 5.99 | 0.15 | 2.91 | 0.13 | 2.44 | 0.13 | 8.74 | 0.25 |
| R0440 | 172.06 | 1.02 | +1.02/-1.53 | 5.99 | 0.15 | 2.91 | 0.13 | 2.44 | 0.13 | 8.74 | 0.25 |
| R0441 | 178.41 | 1.02 | +1.02/-1.55 | 5.99 | 0.15 | 2.91 | 0.13 | 2.44 | 0.13 | 8.74 | 0.25 |
| R0442 | 184.76 | 1.14 | +1.14/-1.7 | 5.99 | 0.15 | 2.91 | 0.13 | 2.44 | 0.13 | 8.74 | 0.25 |
| R0443 | 191.11 | 1.14 | +1.14/-1.72 | 5.99 | 0.15 | 2.91 | 0.13 | 2.44 | 0.13 | 8.74 | 0.25 |
| R0444 | 197.46 | 1.14 | +1.14/-1.74 | 5.99 | 0.15 | 2.91 | 0.13 | 2.44 | 0.13 | 8.74 | 0.25 |
| R0445 | 203.81 | 1.14 | +1.14/-1.75 | 5.99 | 0.15 | 2.91 | 0.13 | 2.44 | 0.13 | 8.74 | 0.25 |
| R0446 | 216.51 | 1.40 | +1.4/-2.05 | 5.99 | 0.15 | 2.91 | 0.13 | 2.44 | 0.13 | 8.74 | 0.25 |
| R0447 | 229.21 | 1.40 | +1.4/-2.08 | 5.99 | 0.15 | 2.91 | 0.13 | 2.44 | 0.13 | 8.74 | 0.25 |
| R0448 | 241.91 | 1.40 | +1.4/-2.12 | 5.99 | 0.15 | 2.91 | 0.13 | 2.44 | 0.13 | 8.74 | 0.25 |
| R0449 | 254.61 | 1.40 | +1.4/-2.16 | 5.99 | 0.15 | 2.91 | 0.13 | 2.44 | 0.13 | 8.74 | 0.25 |
| R0450 | 267.31 | 1.52 | +1.52/-2.33 | 5.99 | 0.15 | 2.91 | 0.13 | 2.44 | 0.13 | 8.74 | 0.25 |
| R0451 | 280.01 | 1.52 | +1.52/-2.36 | 5.99 | 0.15 | 2.91 | 0.13 | 2.44 | 0.13 | 8.74 | 0.25 |

Back-Up Ring Standard Size

Back-Up Ring Standard Size

| Back-Up Ring SIZE | MEASUREMENTS IN MILLIMETERS | | | | | | | | | | |
|-------------------|-----------------------------|-------|-------------|------|------|------|------|------|------|------|------|
| | ID | NBR ± | FKM ± | W | ± | T | ± | A | ± | R | ± |
| R0452 | 292.71 | 1.52 | +1.52/-2.4 | 5.99 | 0.15 | 2.91 | 0.13 | 2.44 | 0.13 | 8.74 | 0.25 |
| R0453 | 305.41 | 1.52 | +1.52/-2.44 | 5.99 | 0.15 | 2.91 | 0.13 | 2.44 | 0.13 | 8.74 | 0.25 |
| R0454 | 318.11 | 1.52 | +1.52/-2.48 | 5.99 | 0.15 | 2.91 | 0.13 | 2.44 | 0.13 | 8.74 | 0.25 |
| R0455 | 330.81 | 1.52 | +1.52/-2.52 | 5.99 | 0.15 | 2.91 | 0.13 | 2.44 | 0.13 | 8.74 | 0.25 |
| R0456 | 343.51 | 1.78 | +1.78/-2.81 | 5.99 | 0.15 | 2.91 | 0.13 | 2.44 | 0.13 | 8.74 | 0.25 |
| R0457 | 356.21 | 1.78 | +1.78/-2.85 | 5.99 | 0.15 | 2.91 | 0.13 | 2.44 | 0.13 | 8.74 | 0.25 |
| R0458 | 368.91 | 1.78 | +1.78/-2.88 | 5.99 | 0.15 | 2.91 | 0.13 | 2.44 | 0.13 | 8.74 | 0.25 |
| R0459 | 381.61 | 1.78 | +1.78/-2.92 | 5.99 | 0.15 | 2.91 | 0.13 | 2.44 | 0.13 | 8.74 | 0.25 |
| R0460 | 394.31 | 1.78 | +1.78/-2.96 | 5.99 | 0.15 | 2.91 | 0.13 | 2.44 | 0.13 | 8.74 | 0.25 |
| R0461 | 406.5 | 1.91 | +1.91/-3.12 | 5.99 | 0.15 | 2.91 | 0.13 | 2.44 | 0.13 | 8.74 | 0.25 |
| R0462 | 419.2 | 1.91 | +1.91/-3.16 | 5.99 | 0.15 | 2.91 | 0.13 | 2.44 | 0.13 | 8.74 | 0.25 |
| R0463 | 431.9 | 2.03 | +2.03/-3.33 | 5.99 | 0.15 | 2.91 | 0.13 | 2.44 | 0.13 | 8.74 | 0.25 |
| R0464 | 444.6 | 2.16 | +2.16/-3.49 | 5.99 | 0.15 | 2.91 | 0.13 | 2.44 | 0.13 | 8.74 | 0.25 |
| R0465 | 457.3 | 2.16 | +2.16/-3.53 | 5.99 | 0.15 | 2.91 | 0.13 | 2.44 | 0.13 | 8.74 | 0.25 |
| R0466 | 470 | 2.16 | +2.16/-3.57 | 5.99 | 0.15 | 2.91 | 0.13 | 2.44 | 0.13 | 8.74 | 0.25 |
| R0467 | 482.7 | 2.29 | +2.29/-3.73 | 5.99 | 0.15 | 2.91 | 0.13 | 2.44 | 0.13 | 8.74 | 0.25 |
| R0468 | 495.4 | 2.29 | +2.29/-3.77 | 5.99 | 0.15 | 2.91 | 0.13 | 2.44 | 0.13 | 8.74 | 0.25 |
| R0469 | 508.1 | 2.41 | +2.41/-3.94 | 5.99 | 0.15 | 2.91 | 0.13 | 2.44 | 0.13 | 8.74 | 0.25 |
| R0470 | 533.5 | 2.41 | +2.41/-4.01 | 5.99 | 0.15 | 2.91 | 0.13 | 2.44 | 0.13 | 8.74 | 0.25 |
| R0471 | 558.9 | 2.54 | +2.54/-4.22 | 5.99 | 0.15 | 2.91 | 0.13 | 2.44 | 0.13 | 8.74 | 0.25 |
| R0472 | 584.3 | 2.67 | +2.67/-4.42 | 5.99 | 0.15 | 2.91 | 0.13 | 2.44 | 0.13 | 8.74 | 0.25 |
| R0473 | 609.7 | 2.79 | +2.79/-4.62 | 5.99 | 0.15 | 2.91 | 0.13 | 2.44 | 0.13 | 8.74 | 0.25 |
| R0474 | 635.1 | 2.92 | +2.92/-4.83 | 5.99 | 0.15 | 2.91 | 0.13 | 2.44 | 0.13 | 8.74 | 0.25 |
| R0475 | 660.5 | 3.05 | +3.05/-5.03 | 5.99 | 0.15 | 2.91 | 0.13 | 2.44 | 0.13 | 8.74 | 0.25 |

MEMO



A series of horizontal dotted lines for writing, starting from the top right of the page and extending down to the bottom of the page.

O-Ring Master

GMORS O-Ring Master provides international standard size lookup for rubber sealing rings. With this APP, you can operate it without an internet connection. In addition to O-rings, you can also find the size of X-rings and reinforcement rings (back-up rings). You can also search for the appropriate O-ring based on the groove size of the installed cylinder.

Material Master

GMORS Material Master provides material recommendations based on the application environment of your rubber seal products, such as "temperature" and "media". We provide nearly a thousand types of media to compare the compatibility of materials.



Android



iOS



Android



iOS



GMORS®

Seals to your heart

GMORS Taiwan (Headquarters)

No. 15, Kung Yeh East 4th Rd.,
Lukang, Chang Hua 505, Taiwan.
T : +886-47810288(REP.)
E : Inquiry@gmors.com

GMORS Thailand

700/889 Moo.3 Amata City Chonburi
Industrial Estate T. Nong Kakha A.
Pantong Chonburi 20160 Thailand
T : +66-38185399
E : Inquiry@gmors.co.th

GMORS Korea

1018, Galmachi-ro 314,
Jungwon-gu, Seongnam-si,
Gyeonggi-do, Republic of Korea
T : +82-316396606
E : Inquiry@gmors.co.kr

GMORS Japan

1 Chome-11-14 Honjo, Sumida City,
Tokyo 130-0004 Japan
T : +81-368032026
E : Inquiry@gmors.co.jp

GMORS Vietnam

GD4-1 in Ngoc Hoi Industrial Park,
Thanh Tri district - Hanoi city.
T : +84-02439339018
E : Inquiry@gmors.com.vn

GMORS Colombia

AK 68 #17-28, Bogota DC,
Colombia
T : + 57-3005646267
E : Inquiry@gmors.com.co

GMORS India

Unit No. 12-14 Indialand-Global
Industrial Park, Hinjawadi Phase1,
Pune - 411057, India.
T : +91-2067994400
E : Inquiry@gmors.co.in

GMORS Philippines

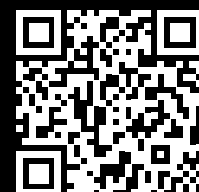
T : +63-9175501823
E : Inquiry@gmors.com.ph

GMORS Singapore

196, Pandan Loop #04-09
Pantech Business Hub,
Singapore 128384
T : +65-63161223
E : Inquiry@gmors.com.sg

GMORS Indonesia

Kompleks Pergudangan &
Perindustrian Era Prima Jln. Daan
Mogot KM21 No.1, Blok D11 Batu
Ceper – Tangerang, 15122
T : +62-2129518725
E : Inquiry@gmors.co.id



Catalog Download