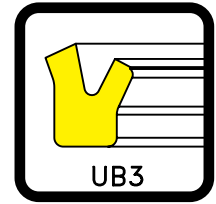
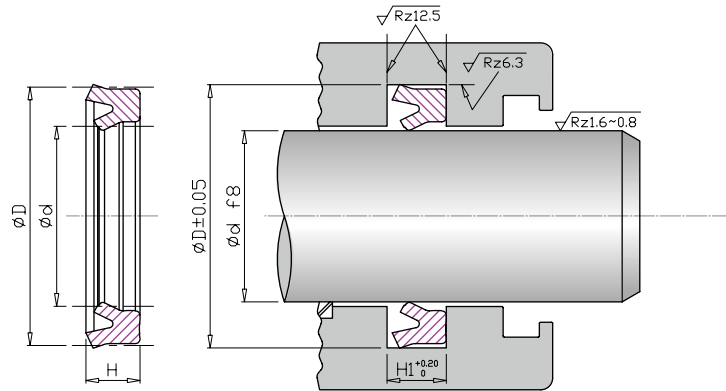


UB3 Series

Asymmetrical Pneumatic Rod Seal



| FKM/FPM 75 PHYSICAL PROPERTIES | | | |
|--|------------|------------|--|
| Working Pressure: ≤ 1.0 Mpa | | | |
| Working Temperature: $-20^{\circ}\text{C} \sim +225^{\circ}\text{C}$ | | | |
| Surface Speed: ≤ 1.0 m/s | | | |
| Hardness | 75 Shore A | DIN53505 | |
| Tensile Strength | 15.3 Mpa | DIN53504 | |
| | 2217 psi | ASTM D-412 | |
| Elongation | 214 % | DIN53504 | |
| Compression Set | 8.6 % | DIN53517 | |
| 24hrs @ 175°C | 8.6 % | ASTM D-395 | |

| NBR 75 PHYSICAL PROPERTIES | | | |
|--|------------|------------|--|
| Working Pressure: ≤ 1.0 Mpa | | | |
| Working Temperature: $-25^{\circ}\text{C} \sim +100^{\circ}\text{C}$ | | | |
| Surface Speed: ≤ 1.0 m/s | | | |
| Hardness | 75 Shore A | DIN53505 | |
| Tensile Strength | 22.8 Mpa | DIN53504 | |
| | 3306 psi | ASTM D-412 | |
| Elongation | 320 % | DIN53504 | |
| Compression Set | 10.9 % | DIN53517 | |
| 24hrs @ 100°C | 10.9 % | ASTM D-395 | |
| Standard Compound | N7539AA | | |
| Color | Black ● | | |

| CODE | d (mm) | D (mm) | H | H1 |
|---------|--------|--------|-----|-----|
| UB30307 | 3 | 7 | 2.9 | 3.2 |
| UB30408 | 4 | 8 | 2.9 | 3.2 |
| UB30509 | 5 | 9 | 2.9 | 3.2 |
| UB30610 | 6 | 10 | 3.5 | 4.0 |
| UB30812 | 8 | 12 | 3.5 | 4.0 |
| UB31014 | 10 | 14 | 3.5 | 4.0 |
| UB31217 | 12 | 17 | 4.0 | 4.5 |
| UB31419 | 14 | 19 | 4.0 | 4.5 |
| UB31622 | 16 | 22 | 5.0 | 5.7 |