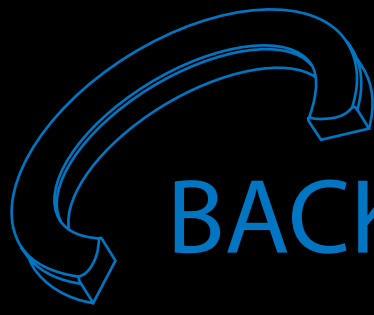


ESBORUM



BACK-UP RING

O-Ring Master

GMORS O-Ring Master is the completed tool for standard rubber seal sizes.

When you use this APP, you don't need to have internet and catalog.

Except O-Ring sizes, it also includes the search functions of X-Ring and Back-Up Ring.

Otherwise, you can also use O-Ring Housing to choose suitable O-Ring in your application.

Material Master

GMORS Material Master give you the materials recommendation for your O-Ring application, based on the working temperature and medium of working environment. We provide thousand kinds of environment condition for compatibility evaluation. In addition, GMORS provide certified rubber compounds for various international standards, such as NSF61, WRAS, ACS, KTW, W-270, Din EN549, UL157, API 6A, NORSOK M-710, TOTAL EP PVV 142 and NACE TM0297.

Please email us for further information.



Android



iOS



Android



iOS



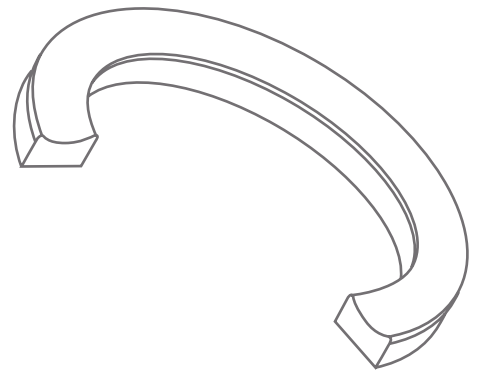


TABLE OF CONTENTS

02	About GMORS
04	Back-Up Ring Design Reference
05	Back-Up Ring Standard Size

About GMORS

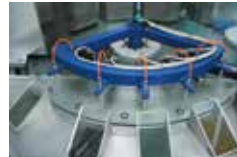
GMORS- SEALS TO YOUR HEART !

GMORS Rubber- A company moving forward with continuous improvements. Servicing in Rubber industry for all kinds of application to fulfill a better world.

Welcome to GMORS Rubber!

Since 1986, GMORS has served as the leading rubber component manufacturer in Taiwan. Known for innovation and continuous improvements, GMORS products have been approved for industries of Automotive, Semi-conductor, Medical, Aerospace, Drinking Water, Food & Drug equipment, Sanitary and various industrial grades.

Marching into the 21th century, GMORS Rubber's commitment is to satisfy all industries with the optimum combination of competitive price, high quality and fast service. Our goal is to be your best global partner on rubber components.



Product Offerings

- O-Rings
- X-Rings
- Back-Up Rings
- U-Packings
- V-Seals
- Special Packing Series
- Wear Rings
- Bonded Seals
- Valve Seals
- Wiper Seals
- Hydraulic Seals
- Pneumatic Seals



Approved

Manufacturing Process System

- ⦿ AS9100D (Aerospace industry approved)
- ⦿ IATF 16949:2016
- ⦿ ISO 9001:2015
- ⦿ ISO 13485:2016 (medical industry non-implantable approved)
- ⦿ ISO 14001:2015
- ⦿ ISO 45001:2018
- ⦿ TAF Approved In-House Lab with Integrated Equipment



Material Certification

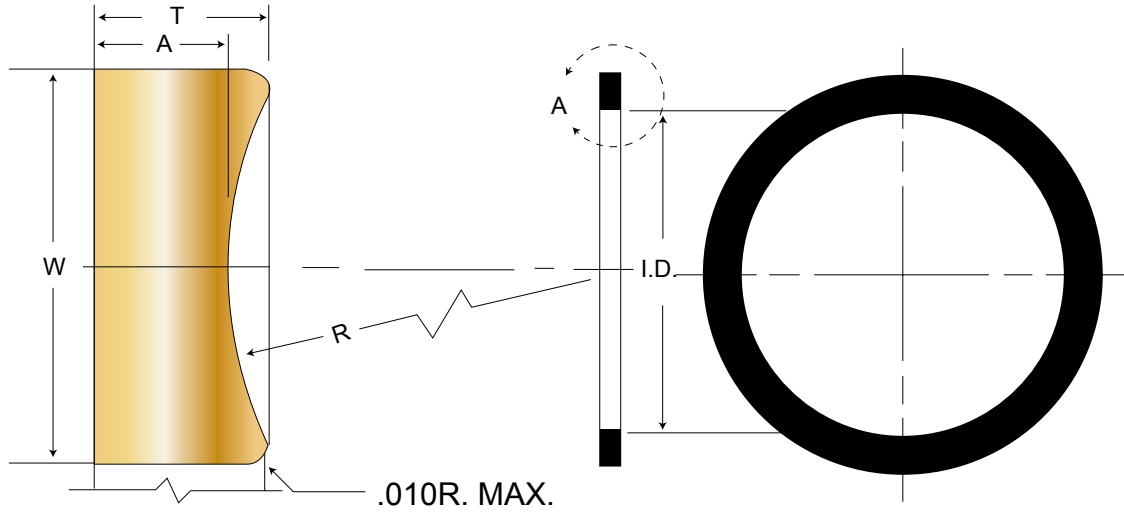
- | | |
|---|---|
| ⦿ NSF 61 (USA Drinking Water) | ⦿ UL 1238 (Flammable Liquid Dispensing Devices) |
| ⦿ NSF 42 (USA Drinking Water) | ⦿ API 6A (H2S Sour Gas Resistance) |
| ⦿ WRAS (UK Drinking Water) | ⦿ DIN EN 549 (Pipes, Gas Appliances) |
| ⦿ ACS (France Drinking Water) | ⦿ NORSOK M-710 (ISO 23936) (RGD Material Certified) |
| ⦿ W-270 (Germany Drinking Water) | ⦿ NACE TM0297(RGD Material Certified) |
| ⦿ KTW (Germany Drinking Water) | ⦿ Total EP PVV 142 (Rapid Gas Decompression) |
| ⦿ AS/NZS 4020 (Australian Drinking Water) | ⦿ ROHS 3 EU Directive 2015/863/EU |
| ⦿ USP VI (USA Biological Reactivity Test) | ⦿ REACH SVHC |
| ⦿ UL 157 (Automotive, Gasoline) | ⦿ ADI FREE |

- | | | |
|--------------------|-------------------------|--------------------|
| ⦿ General Industry | ⦿ Food | ⦿ Renewable Energy |
| ⦿ Automotive | ⦿ Hydraulic & Pneumatic | ⦿ Medical |
| ⦿ Semi-conductor | ⦿ Aerospace | ⦿ Agriculture |
| ⦿ Drinking Water | ⦿ Oil & Gas | |



Back-Up Ring Design Reference

BACK-UP RING



Back-Up Ring Design Reference

Size		Tolerance in mm						
		W.	TOL. ±	T. (REF.)	TOL. ±	A.	TOL. ±	R
From	To							
-004	-050	1.35	0.08	1.20	0.08	1.14	0.08	2.21
-102	-178	2.18	0.08	1.28	0.08	1.14	0.08	3.28
-201	-284	3.00	0.10	1.23	0.08	1.02	0.08	4.42
-309	-395	4.65	0.13	1.88	0.10	1.52	0.10	6.65
-425	-475	5.99	0.15	2.97	0.13	2.44	0.13	8.74

Back-Up Ring Standard Size

Back-Up Ring Standard Size											
Back-Up Ring SIZE	MEASUREMENTS IN MILLIMETERS										
	ID	NBR ±	FKM ±	W	±	T	±	A	±	R	±
R0004	2.44	0.13	+0.13/-0.13	1.35	0.08	1.20	0.08	1.14	0.08	2.21	0.25
R0005	3.23	0.13	+0.13/-0.14	1.35	0.08	1.20	0.08	1.14	0.08	2.21	0.25
R0006	3.56	0.13	+0.13/-0.14	1.35	0.08	1.20	0.08	1.14	0.08	2.21	0.25
R0007	4.34	0.13	+0.13/-0.14	1.35	0.08	1.20	0.08	1.14	0.08	2.21	0.25
R0008	5.13	0.13	+0.13/-0.14	1.35	0.08	1.20	0.08	1.14	0.08	2.21	0.25
R0009	5.94	0.13	+0.13/-0.14	1.35	0.08	1.20	0.08	1.14	0.08	2.21	0.25
R0010	6.73	0.13	+0.13/-0.15	1.35	0.08	1.20	0.08	1.14	0.08	2.21	0.25
R0011	8.31	0.13	+0.13/-0.15	1.35	0.08	1.20	0.08	1.14	0.08	2.21	0.25
R0012	9.91	0.13	+0.13/-0.16	1.35	0.08	1.20	0.08	1.14	0.08	2.21	0.25
R0013	11.56	0.13	+0.13/-0.16	1.35	0.08	1.20	0.08	1.14	0.08	2.21	0.25
R0014	13.16	0.13	+0.13/-0.17	1.35	0.08	1.20	0.08	1.14	0.08	2.21	0.25
R0015	14.73	0.18	+0.18/-0.22	1.35	0.08	1.20	0.08	1.14	0.08	2.21	0.25
R0016	16.33	0.23	+0.23/-0.28	1.35	0.08	1.20	0.08	1.14	0.08	2.21	0.25
R0017	17.91	0.23	+0.23/-0.28	1.35	0.08	1.20	0.08	1.14	0.08	2.21	0.25
R0018	19.51	0.23	+0.23/-0.29	1.35	0.08	1.20	0.08	1.14	0.08	2.21	0.25
R0019	21.08	0.23	+0.23/-0.29	1.35	0.08	1.20	0.08	1.14	0.08	2.21	0.25
R0020	22.68	0.23	+0.23/-0.3	1.35	0.08	1.20	0.08	1.14	0.08	2.21	0.25
R0021	24.26	0.23	+0.23/-0.3	1.35	0.08	1.20	0.08	1.14	0.08	2.21	0.25
R0022	25.86	0.25	+0.25/-0.33	1.35	0.08	1.20	0.08	1.14	0.08	2.21	0.25
R0023	27.43	0.25	+0.25/-0.34	1.35	0.08	1.20	0.08	1.14	0.08	2.21	0.25
R0024	29.03	0.25	+0.25/-0.34	1.35	0.08	1.20	0.08	1.14	0.08	2.21	0.25
R0025	30.61	0.28	+0.28/-0.37	1.35	0.08	1.20	0.08	1.14	0.08	2.21	0.25
R0026	32.21	0.28	+0.28/-0.38	1.35	0.08	1.20	0.08	1.14	0.08	2.21	0.25
R0027	33.78	0.28	+0.28/-0.38	1.35	0.08	1.20	0.08	1.14	0.08	2.21	0.25
R0028	35.38	0.33	+0.33/-0.44	1.35	0.08	1.20	0.08	1.14	0.08	2.21	0.25
R0029	38.56	0.33	+0.33/-0.45	1.35	0.08	1.20	0.08	1.14	0.08	2.21	0.25
R0030	41.73	0.33	+0.33/-0.46	1.35	0.08	1.20	0.08	1.14	0.08	2.21	0.25
R0031	44.91	0.38	+0.38/-0.52	1.35	0.08	1.20	0.08	1.14	0.08	2.21	0.25
R0032	48.09	0.38	+0.38/-0.53	1.35	0.08	1.20	0.08	1.14	0.08	2.21	0.25
R0033	51.26	0.46	+0.46/-0.61	1.35	0.08	1.20	0.08	1.14	0.08	2.21	0.25
R0034	54.43	0.46	+0.46/-0.62	1.35	0.08	1.20	0.08	1.14	0.08	2.21	0.25
R0035	57.61	0.46	+0.46/-0.63	1.35	0.08	1.20	0.08	1.14	0.08	2.21	0.25
R0036	60.78	0.46	+0.46/-0.64	1.35	0.08	1.20	0.08	1.14	0.08	2.21	0.25
R0037	63.96	0.46	+0.46/-0.65	1.35	0.08	1.20	0.08	1.14	0.08	2.21	0.25
R0038	67.13	0.51	+0.51/-0.71	1.35	0.08	1.20	0.08	1.14	0.08	2.21	0.25
R0039	70.31	0.51	+0.51/-0.72	1.35	0.08	1.20	0.08	1.14	0.08	2.21	0.25
R0040	73.48	0.51	+0.51/-0.73	1.35	0.08	1.20	0.08	1.14	0.08	2.21	0.25
R0041	76.66	0.61	+0.61/-0.84	1.35	0.08	1.20	0.08	1.14	0.08	2.21	0.25
R0042	83.01	0.61	+0.61/-0.86	1.35	0.08	1.20	0.08	1.14	0.08	2.21	0.25
R0043	89.36	0.61	+0.61/-0.88	1.35	0.08	1.20	0.08	1.14	0.08	2.21	0.25
R0044	95.71	0.69	+0.69/-0.97	1.35	0.08	1.20	0.08	1.14	0.08	2.21	0.25
R0045	102.06	0.69	+0.69/-0.99	1.35	0.08	1.20	0.08	1.14	0.08	2.21	0.25
R0046	108.41	0.76	+0.76/-1.09	1.35	0.08	1.20	0.08	1.14	0.08	2.21	0.25
R0047	114.76	0.76	+0.76/-1.11	1.35	0.08	1.20	0.08	1.14	0.08	2.21	0.25
R0048	121.11	0.76	+0.76/-1.13	1.35	0.08	1.20	0.08	1.14	0.08	2.21	0.25
R0049	127.46	0.94	+0.94/-1.32	1.35	0.08	1.20	0.08	1.14	0.08	2.21	0.25
R0050	133.81	0.94	+0.94/-1.34	1.35	0.08	1.20	0.08	1.14	0.08	2.21	0.25
R0102	1.96	0.13	+0.13/-0.13	2.18	0.08	1.28	0.08	1.14	0.08	3.28	0.25
R0103	2.77	0.13	+0.13/-0.14	2.18	0.08	1.28	0.08	1.14	0.08	3.28	0.25
R0104	3.56	0.13	+0.13/-0.14	2.18	0.08	1.28	0.08	1.14	0.08	3.28	0.25
R0105	4.34	0.13	+0.13/-0.14	2.18	0.08	1.28	0.08	1.14	0.08	3.28	0.25
R0106	5.13	0.13	+0.13/-0.14	2.18	0.08	1.28	0.08	1.14	0.08	3.28	0.25
R0107	5.94	0.13	+0.13/-0.14	2.18	0.08	1.28	0.08	1.14	0.08	3.28	0.25

Back-Up Ring Standard Size

Back-Up Ring Standard Size

Back-Up Ring SIZE	MEASUREMENTS IN MILLIMETERS										
	ID	NBR ±	FKM ±	W	±	T	±	A	±	R	±
R0108	6.73	0.13	+0.13/-0.15	2.18	0.08	1.28	0.08	1.14	0.08	3.28	0.25
R0109	8.31	0.13	+0.13/-0.15	2.18	0.08	1.28	0.08	1.14	0.08	3.28	0.25
R0110	9.91	0.13	+0.13/-0.16	2.18	0.08	1.28	0.08	1.14	0.08	3.28	0.25
R0111	11.48	0.13	+0.13/-0.16	2.18	0.08	1.28	0.08	1.14	0.08	3.28	0.25
R0112	13.08	0.13	+0.13/-0.17	2.18	0.08	1.28	0.08	1.14	0.08	3.28	0.25
R0113	14.66	0.18	+0.18/-0.22	2.18	0.08	1.28	0.08	1.14	0.08	3.28	0.25
R0114	16.26	0.23	+0.23/-0.28	2.18	0.08	1.28	0.08	1.14	0.08	3.28	0.25
R0115	17.83	0.23	+0.23/-0.28	2.18	0.08	1.28	0.08	1.14	0.08	3.28	0.25
R0116	19.43	0.23	+0.23/-0.29	2.18	0.08	1.28	0.08	1.14	0.08	3.28	0.25
R0117	21.11	0.25	+0.25/-0.32	2.18	0.08	1.28	0.08	1.14	0.08	3.28	0.25
R0118	22.68	0.25	+0.25/-0.32	2.18	0.08	1.28	0.08	1.14	0.08	3.28	0.25
R0119	24.28	0.25	+0.25/-0.33	2.18	0.08	1.28	0.08	1.14	0.08	3.28	0.25
R0120	25.86	0.25	+0.25/-0.33	2.18	0.08	1.28	0.08	1.14	0.08	3.28	0.25
R0121	27.46	0.25	+0.25/-0.34	2.18	0.08	1.28	0.08	1.14	0.08	3.28	0.25
R0122	29.03	0.25	+0.25/-0.34	2.18	0.08	1.28	0.08	1.14	0.08	3.28	0.25
R0123	30.63	0.30	+0.3/-0.4	2.18	0.08	1.28	0.08	1.14	0.08	3.28	0.25
R0124	32.21	0.30	+0.3/-0.4	2.18	0.08	1.28	0.08	1.14	0.08	3.28	0.25
R0125	33.81	0.30	+0.3/-0.41	2.18	0.08	1.28	0.08	1.14	0.08	3.28	0.25
R0126	35.38	0.30	+0.3/-0.41	2.18	0.08	1.28	0.08	1.14	0.08	3.28	0.25
R0127	36.98	0.30	+0.3/-0.42	2.18	0.08	1.28	0.08	1.14	0.08	3.28	0.25
R0128	38.56	0.30	+0.3/-0.42	2.18	0.08	1.28	0.08	1.14	0.08	3.28	0.25
R0129	40.16	0.38	+0.38/-0.5	2.18	0.08	1.28	0.08	1.14	0.08	3.28	0.25
R0130	41.73	0.38	+0.38/-0.51	2.18	0.08	1.28	0.08	1.14	0.08	3.28	0.25
R0131	43.33	0.38	+0.38/-0.51	2.18	0.08	1.28	0.08	1.14	0.08	3.28	0.25
R0132	44.91	0.38	+0.38/-0.52	2.18	0.08	1.28	0.08	1.14	0.08	3.28	0.25
R0133	46.51	0.38	+0.38/-0.52	2.18	0.08	1.28	0.08	1.14	0.08	3.28	0.25
R0134	48.08	0.38	+0.38/-0.53	2.18	0.08	1.28	0.08	1.14	0.08	3.28	0.25
R0135	49.68	0.43	+0.43/-0.58	2.18	0.08	1.28	0.08	1.14	0.08	3.28	0.25
R0136	51.26	0.43	+0.43/-0.59	2.18	0.08	1.28	0.08	1.14	0.08	3.28	0.25
R0137	52.86	0.43	+0.43/-0.59	2.18	0.08	1.28	0.08	1.14	0.08	3.28	0.25
R0138	54.43	0.43	+0.43/-0.6	2.18	0.08	1.28	0.08	1.14	0.08	3.28	0.25
R0139	56.03	0.43	+0.43/-0.6	2.18	0.08	1.28	0.08	1.14	0.08	3.28	0.25
R0140	57.61	0.43	+0.43/-0.6	2.18	0.08	1.28	0.08	1.14	0.08	3.28	0.25
R0141	59.21	0.51	+0.51/-0.69	2.18	0.08	1.28	0.08	1.14	0.08	3.28	0.25
R0142	60.78	0.51	+0.51/-0.69	2.18	0.08	1.28	0.08	1.14	0.08	3.28	0.25
R0143	62.38	0.51	+0.51/-0.7	2.18	0.08	1.28	0.08	1.14	0.08	3.28	0.25
R0144	63.96	0.51	+0.51/-0.7	2.18	0.08	1.28	0.08	1.14	0.08	3.28	0.25
R0145	65.56	0.51	+0.51/-0.7	2.18	0.08	1.28	0.08	1.14	0.08	3.28	0.25
R0146	67.13	0.51	+0.51/-0.71	2.18	0.08	1.28	0.08	1.14	0.08	3.28	0.25
R0147	68.73	0.56	+0.56/-0.76	2.18	0.08	1.28	0.08	1.14	0.08	3.28	0.25
R0148	70.31	0.56	+0.56/-0.77	2.18	0.08	1.28	0.08	1.14	0.08	3.28	0.25
R0149	71.91	0.56	+0.56/-0.77	2.18	0.08	1.28	0.08	1.14	0.08	3.28	0.25
R0150	73.48	0.56	+0.56/-0.78	2.18	0.08	1.28	0.08	1.14	0.08	3.28	0.25
R0151	76.66	0.61	+0.61/-0.84	2.18	0.08	1.28	0.08	1.14	0.08	3.28	0.25
R0152	83.01	0.61	+0.61/-0.86	2.18	0.08	1.28	0.08	1.14	0.08	3.28	0.25
R0153	89.36	0.61	+0.61/-0.88	2.18	0.08	1.28	0.08	1.14	0.08	3.28	0.25
R0154	95.71	0.71	+0.71/-1	2.18	0.08	1.28	0.08	1.14	0.08	3.28	0.25
R0155	102.06	0.71	+0.71/-1.02	2.18	0.08	1.28	0.08	1.14	0.08	3.28	0.25
R0156	108.41	0.76	+0.76/-1.09	2.18	0.08	1.28	0.08	1.14	0.08	3.28	0.25
R0157	114.76	0.76	+0.76/-1.11	2.18	0.08	1.28	0.08	1.14	0.08	3.28	0.25
R0158	121.11	0.76	+0.76/-1.13	2.18	0.08	1.28	0.08	1.14	0.08	3.28	0.25
R0159	127.46	0.89	+0.89/-1.27	2.18	0.08	1.28	0.08	1.14	0.08	3.28	0.25
R0160	133.81	0.89	+0.89/-1.29	2.18	0.08	1.28	0.08	1.14	0.08	3.28	0.25
R0161	140.16	0.89	+0.89/-1.31	2.18	0.08	1.28	0.08	1.14	0.08	3.28	0.25

Back-Up Ring Standard Size

Back-Up Ring Standard Size

Back-Up Ring SIZE	MEASUREMENTS IN MILLIMETERS										
	ID	NBR ±	FKM ±	W	±	T	±	A	±	R	±
R0162	146.51	0.89	+0.89/-1.33	2.18	0.08	1.28	0.08	1.14	0.08	3.28	0.25
R0163	152.86	0.89	+0.89/-1.35	2.18	0.08	1.28	0.08	1.14	0.08	3.28	0.25
R0164	159.21	1.02	+1.02/-1.49	2.18	0.08	1.28	0.08	1.14	0.08	3.28	0.25
R0165	165.56	1.02	+1.02/-1.51	2.18	0.08	1.28	0.08	1.14	0.08	3.28	0.25
R0166	171.91	1.02	+1.02/-1.53	2.18	0.08	1.28	0.08	1.14	0.08	3.28	0.25
R0167	178.26	1.02	+1.02/-1.55	2.18	0.08	1.28	0.08	1.14	0.08	3.28	0.25
R0168	184.61	1.14	+1.14/-1.7	2.18	0.08	1.28	0.08	1.14	0.08	3.28	0.25
R0169	190.96	1.14	+1.14/-1.72	2.18	0.08	1.28	0.08	1.14	0.08	3.28	0.25
R0170	197.31	1.14	+1.14/-1.73	2.18	0.08	1.28	0.08	1.14	0.08	3.28	0.25
R0171	203.66	1.14	+1.14/-1.75	2.18	0.08	1.28	0.08	1.14	0.08	3.28	0.25
R0172	210.01	1.27	+1.27/-1.9	2.18	0.08	1.28	0.08	1.14	0.08	3.28	0.25
R0173	216.36	1.27	+1.27/-1.92	2.18	0.08	1.28	0.08	1.14	0.08	3.28	0.25
R0174	222.71	1.27	+1.27/-1.94	2.18	0.08	1.28	0.08	1.14	0.08	3.28	0.25
R0175	229.06	1.27	+1.27/-1.96	2.18	0.08	1.28	0.08	1.14	0.08	3.28	0.25
R0176	235.41	1.40	+1.4/-2.1	2.18	0.08	1.28	0.08	1.14	0.08	3.28	0.25
R0177	241.76	1.40	+1.4/-2.12	2.18	0.08	1.28	0.08	1.14	0.08	3.28	0.25
R0178	248.11	1.40	+1.4/-2.14	2.18	0.08	1.28	0.08	1.14	0.08	3.28	0.25
R0201	5.13	0.13	+0.13/-0.14	3.00	0.10	1.23	0.08	1.02	0.08	4.42	0.25
R0202	6.73	0.13	+0.13/-0.15	3.00	0.10	1.23	0.08	1.02	0.08	4.42	0.25
R0203	8.31	0.13	+0.13/-0.15	3.00	0.10	1.23	0.08	1.02	0.08	4.42	0.25
R0204	9.91	0.13	+0.13/-0.16	3.00	0.10	1.23	0.08	1.02	0.08	4.42	0.25
R0205	11.56	0.13	+0.13/-0.16	3.00	0.10	1.23	0.08	1.02	0.08	4.42	0.25
R0206	13.16	0.13	+0.13/-0.17	3.00	0.10	1.23	0.08	1.02	0.08	4.42	0.25
R0207	14.73	0.18	+0.18/-0.22	3.00	0.10	1.23	0.08	1.02	0.08	4.42	0.25
R0208	16.33	0.23	+0.23/-0.28	3.00	0.10	1.23	0.08	1.02	0.08	4.42	0.25
R0209	17.91	0.23	+0.23/-0.28	3.00	0.10	1.23	0.08	1.02	0.08	4.42	0.25
R0210	19.46	0.25	+0.25/-0.31	3.00	0.10	1.23	0.08	1.02	0.08	4.42	0.25
R0211	21.03	0.25	+0.25/-0.32	3.00	0.10	1.23	0.08	1.02	0.08	4.42	0.25
R0212	22.63	0.25	+0.25/-0.32	3.00	0.10	1.23	0.08	1.02	0.08	4.42	0.25
R0213	24.21	0.25	+0.25/-0.33	3.00	0.10	1.23	0.08	1.02	0.08	4.42	0.25
R0214	25.81	0.25	+0.25/-0.33	3.00	0.10	1.23	0.08	1.02	0.08	4.42	0.25
R0215	27.38	0.25	+0.25/-0.34	3.00	0.10	1.23	0.08	1.02	0.08	4.42	0.25
R0216	28.98	0.30	+0.3/-0.39	3.00	0.10	1.23	0.08	1.02	0.08	4.42	0.25
R0217	30.56	0.30	+0.3/-0.4	3.00	0.10	1.23	0.08	1.02	0.08	4.42	0.25
R0218	32.16	0.30	+0.3/-0.4	3.00	0.10	1.23	0.08	1.02	0.08	4.42	0.25
R0219	33.88	0.30	+0.3/-0.41	3.00	0.10	1.23	0.08	1.02	0.08	4.42	0.25
R0220	35.48	0.30	+0.3/-0.41	3.00	0.10	1.23	0.08	1.02	0.08	4.42	0.25
R0221	37.06	0.30	+0.3/-0.42	3.00	0.10	1.23	0.08	1.02	0.08	4.42	0.25
R0222	38.66	0.38	+0.38/-0.5	3.00	0.10	1.23	0.08	1.02	0.08	4.42	0.25
R0223	41.83	0.38	+0.38/-0.51	3.00	0.10	1.23	0.08	1.02	0.08	4.42	0.25
R0224	45.01	0.38	+0.38/-0.52	3.00	0.10	1.23	0.08	1.02	0.08	4.42	0.25
R0225	48.18	0.46	+0.46/-0.6	3.00	0.10	1.23	0.08	1.02	0.08	4.42	0.25
R0226	51.36	0.46	+0.46/-0.61	3.00	0.10	1.23	0.08	1.02	0.08	4.42	0.25
R0227	54.53	0.46	+0.46/-0.62	3.00	0.10	1.23	0.08	1.02	0.08	4.42	0.25
R0228	57.71	0.51	+0.51/-0.68	3.00	0.10	1.23	0.08	1.02	0.08	4.42	0.25
R0229	60.88	0.51	+0.51/-0.69	3.00	0.10	1.23	0.08	1.02	0.08	4.42	0.25
R0230	64.06	0.51	+0.51/-0.7	3.00	0.10	1.23	0.08	1.02	0.08	4.42	0.25
R0231	66.83	0.51	+0.51/-0.71	3.00	0.10	1.23	0.08	1.02	0.08	4.42	0.25
R0232	70	0.61	+0.61/-0.82	3.00	0.10	1.23	0.08	1.02	0.08	4.42	0.25
R0233	73.18	0.61	+0.61/-0.83	3.00	0.10	1.23	0.08	1.02	0.08	4.42	0.25
R0234	76.35	0.61	+0.61/-0.84	3.00	0.10	1.23	0.08	1.02	0.08	4.42	0.25
R0235	79.53	0.61	+0.61/-0.85	3.00	0.10	1.23	0.08	1.02	0.08	4.42	0.25
R0236	82.7	0.61	+0.61/-0.86	3.00	0.10	1.23	0.08	1.02	0.08	4.42	0.25
R0237	85.88	0.61	+0.61/-0.87	3.00	0.10	1.23	0.08	1.02	0.08	4.42	0.25

Back-Up Ring Standard Size

Back-Up Ring Standard Size

Back-Up Ring SIZE	MEASUREMENTS IN MILLIMETERS										
	ID	NBR ±	FKM ±	W	±	T	±	A	±	R	±
R0238	89.05	0.61	+0.61/-0.88	3.00	0.10	1.23	0.08	1.02	0.08	4.42	0.25
R0239	92.23	0.71	+0.71/-0.99	3.00	0.10	1.23	0.08	1.02	0.08	4.42	0.25
R0240	95.4	0.71	+0.71/-1	3.00	0.10	1.23	0.08	1.02	0.08	4.42	0.25
R0241	98.58	0.71	+0.71/-1.01	3.00	0.10	1.23	0.08	1.02	0.08	4.42	0.25
R0242	101.75	0.71	+0.71/-1.02	3.00	0.10	1.23	0.08	1.02	0.08	4.42	0.25
R0243	104.93	0.71	+0.71/-1.03	3.00	0.10	1.23	0.08	1.02	0.08	4.42	0.25
R0244	108.1	0.76	+0.76/-1.09	3.00	0.10	1.23	0.08	1.02	0.08	4.42	0.25
R0245	111.28	0.76	+0.76/-1.1	3.00	0.10	1.23	0.08	1.02	0.08	4.42	0.25
R0246	114.45	0.76	+0.76/-1.11	3.00	0.10	1.23	0.08	1.02	0.08	4.42	0.25
R0247	117.63	0.76	+0.76/-1.11	3.00	0.10	1.23	0.08	1.02	0.08	4.42	0.25
R0248	121.11	0.76	+0.76/-1.13	3.00	0.10	1.23	0.08	1.02	0.08	4.42	0.25
R0249	124.28	0.89	+0.89/-1.26	3.00	0.10	1.23	0.08	1.02	0.08	4.42	0.25
R0250	127.46	0.89	+0.89/-1.27	3.00	0.10	1.23	0.08	1.02	0.08	4.42	0.25
R0251	130.63	0.89	+0.89/-1.28	3.00	0.10	1.23	0.08	1.02	0.08	4.42	0.25
R0252	133.81	0.89	+0.89/-1.29	3.00	0.10	1.23	0.08	1.02	0.08	4.42	0.25
R0253	136.98	0.89	+0.89/-1.3	3.00	0.10	1.23	0.08	1.02	0.08	4.42	0.25
R0254	140.16	0.89	+0.89/-1.31	3.00	0.10	1.23	0.08	1.02	0.08	4.42	0.25
R0255	143.33	0.89	+0.89/-1.32	3.00	0.10	1.23	0.08	1.02	0.08	4.42	0.25
R0256	146.51	0.89	+0.89/-1.33	3.00	0.10	1.23	0.08	1.02	0.08	4.42	0.25
R0257	149.68	0.89	+0.89/-1.34	3.00	0.10	1.23	0.08	1.02	0.08	4.42	0.25
R0258	152.86	0.89	+0.89/-1.35	3.00	0.10	1.23	0.08	1.02	0.08	4.42	0.25
R0259	159.21	1.02	+1.02/-1.49	3.00	0.10	1.23	0.08	1.02	0.08	4.42	0.25
R0260	165.56	1.02	+1.02/-1.51	3.00	0.10	1.23	0.08	1.02	0.08	4.42	0.25
R0261	171.91	1.02	+1.02/-1.53	3.00	0.10	1.23	0.08	1.02	0.08	4.42	0.25
R0262	178.26	1.02	+1.02/-1.55	3.00	0.10	1.23	0.08	1.02	0.08	4.42	0.25
R0263	184.61	1.14	+1.14/-1.7	3.00	0.10	1.23	0.08	1.02	0.08	4.42	0.25
R0264	190.96	1.14	+1.14/-1.72	3.00	0.10	1.23	0.08	1.02	0.08	4.42	0.25
R0265	197.31	1.14	+1.14/-1.73	3.00	0.10	1.23	0.08	1.02	0.08	4.42	0.25
R0266	203.66	1.14	+1.14/-1.75	3.00	0.10	1.23	0.08	1.02	0.08	4.42	0.25
R0267	210.01	1.27	+1.27/-1.9	3.00	0.10	1.23	0.08	1.02	0.08	4.42	0.25
R0268	216.36	1.27	+1.27/-1.92	3.00	0.10	1.23	0.08	1.02	0.08	4.42	0.25
R0269	222.71	1.27	+1.27/-1.94	3.00	0.10	1.23	0.08	1.02	0.08	4.42	0.25
R0270	229.06	1.27	+1.27/-1.96	3.00	0.10	1.23	0.08	1.02	0.08	4.42	0.25
R0271	235.41	1.40	+1.4/-2.1	3.00	0.10	1.23	0.08	1.02	0.08	4.42	0.25
R0272	241.76	1.40	+1.4/-2.12	3.00	0.10	1.23	0.08	1.02	0.08	4.42	0.25
R0273	248.11	1.40	+1.4/-2.14	3.00	0.10	1.23	0.08	1.02	0.08	4.42	0.25
R0274	254.46	1.40	+1.4/-2.16	3.00	0.10	1.23	0.08	1.02	0.08	4.42	0.25
R0275	267.16	1.40	+1.4/-2.2	3.00	0.10	1.23	0.08	1.02	0.08	4.42	0.25
R0276	279.86	1.65	+1.65/-2.49	3.00	0.10	1.23	0.08	1.02	0.08	4.42	0.25
R0277	292.56	1.65	+1.65/-2.53	3.00	0.10	1.23	0.08	1.02	0.08	4.42	0.25
R0278	305.26	1.65	+1.65/-2.57	3.00	0.10	1.23	0.08	1.02	0.08	4.42	0.25
R0279	330.66	1.65	+1.65/-2.64	3.00	0.10	1.23	0.08	1.02	0.08	4.42	0.25
R0280	356.06	1.65	+1.65/-2.72	3.00	0.10	1.23	0.08	1.02	0.08	4.42	0.25
R0281	381.46	1.65	+1.65/-2.8	3.00	0.10	1.23	0.08	1.02	0.08	4.42	0.25
R0282	406.12	1.91	+1.91/-3.12	3.00	0.10	1.23	0.08	1.02	0.08	4.42	0.25
R0283	431.52	2.03	+2.03/-3.33	3.00	0.10	1.23	0.08	1.02	0.08	4.42	0.25
R0284	456.92	2.16	+2.16/-3.53	3.00	0.10	1.23	0.08	1.02	0.08	4.42	0.25
R0309	11.43	0.13	+0.13/-0.16	4.65	0.13	1.88	0.10	1.52	0.10	6.65	0.25
R0310	13.03	0.13	+0.13/-0.17	4.65	0.13	1.88	0.10	1.52	0.10	6.65	0.25
R0311	14.61	0.18	+0.18/-0.22	4.65	0.13	1.88	0.10	1.52	0.10	6.65	0.25
R0312	16.21	0.23	+0.23/-0.28	4.65	0.13	1.88	0.10	1.52	0.10	6.65	0.25
R0313	17.78	0.23	+0.23/-0.28	4.65	0.13	1.88	0.10	1.52	0.10	6.65	0.25
R0314	19.38	0.25	+0.25/-0.31	4.65	0.13	1.88	0.10	1.52	0.10	6.65	0.25
R0315	20.96	0.25	+0.25/-0.32	4.65	0.13	1.88	0.10	1.52	0.10	6.65	0.25

Back-Up Ring Standard Size

Back-Up Ring Standard Size

Back-Up Ring SIZE	MEASUREMENTS IN MILLIMETERS										
	ID	NBR ±	FKM ±	W	±	T	±	A	±	R	±
R0316	22.56	0.25	+0.25/-0.32	4.65	0.13	1.88	0.10	1.52	0.10	6.65	0.25
R0317	24.13	0.25	+0.25/-0.33	4.65	0.13	1.88	0.10	1.52	0.10	6.65	0.25
R0318	25.73	0.25	+0.25/-0.33	4.65	0.13	1.88	0.10	1.52	0.10	6.65	0.25
R0319	27.31	0.25	+0.25/-0.34	4.65	0.13	1.88	0.10	1.52	0.10	6.65	0.25
R0320	28.91	0.30	+0.3/-0.39	4.65	0.13	1.88	0.10	1.52	0.10	6.65	0.25
R0321	30.48	0.30	+0.3/-0.4	4.65	0.13	1.88	0.10	1.52	0.10	6.65	0.25
R0322	32.08	0.30	+0.3/-0.4	4.65	0.13	1.88	0.10	1.52	0.10	6.65	0.25
R0323	33.43	0.30	+0.3/-0.41	4.65	0.13	1.88	0.10	1.52	0.10	6.65	0.25
R0324	35.26	0.30	+0.3/-0.41	4.65	0.13	1.88	0.10	1.52	0.10	6.65	0.25
R0325	38.43	0.38	+0.38/-0.5	4.65	0.13	1.88	0.10	1.52	0.10	6.65	0.25
R0326	41.61	0.38	+0.38/-0.51	4.65	0.13	1.88	0.10	1.52	0.10	6.65	0.25
R0327	44.78	0.38	+0.38/-0.52	4.65	0.13	1.88	0.10	1.52	0.10	6.65	0.25
R0328	47.96	0.38	+0.38/-0.52	4.65	0.13	1.88	0.10	1.52	0.10	6.65	0.25
R0329	51.13	0.46	+0.46/-0.61	4.65	0.13	1.88	0.10	1.52	0.10	6.65	0.25
R0330	54.31	0.46	+0.46/-0.62	4.65	0.13	1.88	0.10	1.52	0.10	6.65	0.25
R0331	57.61	0.46	+0.46/-0.63	4.65	0.13	1.88	0.10	1.52	0.10	6.65	0.25
R0332	60.78	0.46	+0.46/-0.64	4.65	0.13	1.88	0.10	1.52	0.10	6.65	0.25
R0333	63.96	0.51	+0.51/-0.7	4.65	0.13	1.88	0.10	1.52	0.10	6.65	0.25
R0334	67.13	0.51	+0.51/-0.71	4.65	0.13	1.88	0.10	1.52	0.10	6.65	0.25
R0335	70.31	0.51	+0.51/-0.72	4.65	0.13	1.88	0.10	1.52	0.10	6.65	0.25
R0336	73.48	0.51	+0.51/-0.73	4.65	0.13	1.88	0.10	1.52	0.10	6.65	0.25
R0337	76.66	0.61	+0.61/-0.84	4.65	0.13	1.88	0.10	1.52	0.10	6.65	0.25
R0338	79.83	0.61	+0.61/-0.85	4.65	0.13	1.88	0.10	1.52	0.10	6.65	0.25
R0339	83.13	0.61	+0.61/-0.86	4.65	0.13	1.88	0.10	1.52	0.10	6.65	0.25
R0340	86.31	0.61	+0.61/-0.87	4.65	0.13	1.88	0.10	1.52	0.10	6.65	0.25
R0341	89.48	0.61	+0.61/-0.88	4.65	0.13	1.88	0.10	1.52	0.10	6.65	0.25
R0342	92.66	0.71	+0.71/-0.99	4.65	0.13	1.88	0.10	1.52	0.10	6.65	0.25
R0343	95.83	0.71	+0.71/-1	4.65	0.13	1.88	0.10	1.52	0.10	6.65	0.25
R0344	99.01	0.71	+0.71/-1.01	4.65	0.13	1.88	0.10	1.52	0.10	6.65	0.25
R0345	102.31	0.71	+0.71/-1.02	4.65	0.13	1.88	0.10	1.52	0.10	6.65	0.25
R0346	105.49	0.71	+0.71/-1.03	4.65	0.13	1.88	0.10	1.52	0.10	6.65	0.25
R0347	108.66	0.76	+0.76/-1.09	4.65	0.13	1.88	0.10	1.52	0.10	6.65	0.25
R0348	111.84	0.76	+0.76/-1.1	4.65	0.13	1.88	0.10	1.52	0.10	6.65	0.25
R0349	115.01	0.76	+0.76/-1.11	4.65	0.13	1.88	0.10	1.52	0.10	6.65	0.25
R0350	118.19	0.76	+0.76/-1.12	4.65	0.13	1.88	0.10	1.52	0.10	6.65	0.25
R0351	121.36	0.76	+0.76/-1.13	4.65	0.13	1.88	0.10	1.52	0.10	6.65	0.25
R0352	124.54	0.76	+0.76/-1.14	4.65	0.13	1.88	0.10	1.52	0.10	6.65	0.25
R0353	127.71	0.94	+0.94/-1.32	4.65	0.13	1.88	0.10	1.52	0.10	6.65	0.25
R0354	130.89	0.94	+0.94/-1.33	4.65	0.13	1.88	0.10	1.52	0.10	6.65	0.25
R0355	134.06	0.94	+0.94/-1.34	4.65	0.13	1.88	0.10	1.52	0.10	6.65	0.25
R0356	137.24	0.94	+0.94/-1.35	4.65	0.13	1.88	0.10	1.52	0.10	6.65	0.25
R0357	140.41	0.94	+0.94/-1.36	4.65	0.13	1.88	0.10	1.52	0.10	6.65	0.25
R0358	143.59	0.94	+0.94/-1.37	4.65	0.13	1.88	0.10	1.52	0.10	6.65	0.25
R0359	146.76	0.94	+0.94/-1.38	4.65	0.13	1.88	0.10	1.52	0.10	6.65	0.25
R0360	149.94	0.94	+0.94/-1.39	4.65	0.13	1.88	0.10	1.52	0.10	6.65	0.25
R0361	153.11	0.94	+0.94/-1.4	4.65	0.13	1.88	0.10	1.52	0.10	6.65	0.25
R0362	159.46	1.02	+1.02/-1.49	4.65	0.13	1.88	0.10	1.52	0.10	6.65	0.25
R0363	165.81	1.02	+1.02/-1.51	4.65	0.13	1.88	0.10	1.52	0.10	6.65	0.25
R0364	172.16	1.02	+1.02/-1.53	4.65	0.13	1.88	0.10	1.52	0.10	6.65	0.25
R0365	178.51	1.02	+1.02/-1.55	4.65	0.13	1.88	0.10	1.52	0.10	6.65	0.25
R0366	184.86	1.14	+1.14/-1.7	4.65	0.13	1.88	0.10	1.52	0.10	6.65	0.25
R0367	191.21	1.14	+1.14/-1.72	4.65	0.13	1.88	0.10	1.52	0.10	6.65	0.25
R0368	197.56	1.14	+1.14/-1.74	4.65	0.13	1.88	0.10	1.52	0.10	6.65	0.25
R0369	203.91	1.14	+1.14/-1.75	4.65	0.13	1.88	0.10	1.52	0.10	6.65	0.25

Back-Up Ring Standard Size

Back-Up Ring Standard Size

Back-Up Ring Standard Size

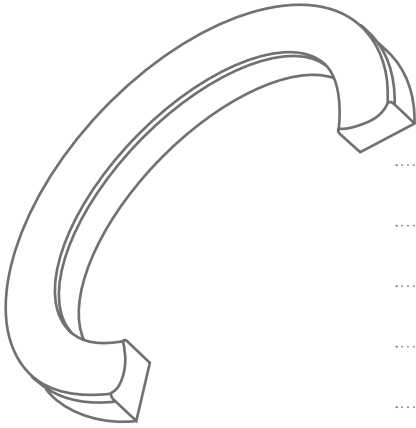
Back-Up Ring SIZE	MEASUREMENTS IN MILLIMETERS										
	ID	NBR ±	FKM ±	W	±	T	±	A	±	R	±
R0369	203.91	1.14	+1.14/-1.75	4.65	0.13	1.88	0.10	1.52	0.10	6.65	0.25
R0370	210.26	1.27	+1.27/-1.9	4.65	0.13	1.88	0.10	1.52	0.10	6.65	0.25
R0371	216.61	1.27	+1.27/-1.92	4.65	0.13	1.88	0.10	1.52	0.10	6.65	0.25
R0372	222.96	1.27	+1.27/-1.94	4.65	0.13	1.88	0.10	1.52	0.10	6.65	0.25
R0373	229.31	1.27	+1.27/-1.96	4.65	0.13	1.88	0.10	1.52	0.10	6.65	0.25
R0374	235.66	1.40	+1.4/-2.1	4.65	0.13	1.88	0.10	1.52	0.10	6.65	0.25
R0375	242.01	1.40	+1.4/-2.12	4.65	0.13	1.88	0.10	1.52	0.10	6.65	0.25
R0376	248.36	1.40	+1.4/-2.14	4.65	0.13	1.88	0.10	1.52	0.10	6.65	0.25
R0377	254.71	1.40	+1.4/-2.16	4.65	0.13	1.88	0.10	1.52	0.10	6.65	0.25
R0378	267.41	1.52	+1.52/-2.33	4.65	0.13	1.88	0.10	1.52	0.10	6.65	0.25
R0379	280.11	1.52	+1.52/-2.36	4.65	0.13	1.88	0.10	1.52	0.10	6.65	0.25
R0380	292.81	1.65	+1.65/-2.53	4.65	0.13	1.88	0.10	1.52	0.10	6.65	0.25
R0381	305.51	1.65	+1.65/-2.57	4.65	0.13	1.88	0.10	1.52	0.10	6.65	0.25
R0382	330.91	1.65	+1.65/-2.64	4.65	0.13	1.88	0.10	1.52	0.10	6.65	0.25
R0383	356.31	1.78	+1.78/-2.85	4.65	0.13	1.88	0.10	1.52	0.10	6.65	0.25
R0384	381.71	1.78	+1.78/-2.92	4.65	0.13	1.88	0.10	1.52	0.10	6.65	0.25
R0385	406.6	1.91	+1.91/-3.12	4.65	0.13	1.88	0.10	1.52	0.10	6.65	0.25
R0386	432	2.03	+2.03/-3.33	4.65	0.13	1.88	0.10	1.52	0.10	6.65	0.25
R0387	457.4	2.16	+2.16/-3.53	4.65	0.13	1.88	0.10	1.52	0.10	6.65	0.25
R0388	482.75	2.29	+2.29/-3.73	4.65	0.13	1.88	0.10	1.52	0.10	6.65	0.25
R0389	508.15	2.41	+2.41/-3.94	4.65	0.13	1.88	0.10	1.52	0.10	6.65	0.25
R0390	533.55	2.41	+2.41/-4.01	4.65	0.13	1.88	0.10	1.52	0.10	6.65	0.25
R0391	558.95	2.54	+2.54/-4.22	4.65	0.13	1.88	0.10	1.52	0.10	6.65	0.25
R0392	584.02	2.67	+2.67/-4.42	4.65	0.13	1.88	0.10	1.52	0.10	6.65	0.25
R0393	609.42	2.79	+2.79/-4.62	4.65	0.13	1.88	0.10	1.52	0.10	6.65	0.25
R0394	634.82	2.92	+2.92/-4.83	4.65	0.13	1.88	0.10	1.52	0.10	6.65	0.25
R0395	660.22	3.05	+3.05/-5.03	4.65	0.13	1.88	0.10	1.52	0.10	6.65	0.25
R0425	115.6	0.84	+0.84/-1.18	5.99	0.15	2.91	0.13	2.44	0.13	8.74	0.25
R0426	118.77	0.84	+0.84/-1.19	5.99	0.15	2.91	0.13	2.44	0.13	8.74	0.25
R0427	121.95	0.84	+0.84/-1.2	5.99	0.15	2.91	0.13	2.44	0.13	8.74	0.25
R0428	125.12	0.84	+0.84/-1.21	5.99	0.15	2.91	0.13	2.44	0.13	8.74	0.25
R0429	128.3	0.94	+0.94/-1.32	5.99	0.15	2.91	0.13	2.44	0.13	8.74	0.25
R0430	131.47	0.94	+0.94/-1.33	5.99	0.15	2.91	0.13	2.44	0.13	8.74	0.25
R0431	134.65	0.94	+0.94/-1.34	5.99	0.15	2.91	0.13	2.44	0.13	8.74	0.25
R0432	137.82	0.94	+0.94/-1.35	5.99	0.15	2.91	0.13	2.44	0.13	8.74	0.25
R0433	141	0.94	+0.94/-1.36	5.99	0.15	2.91	0.13	2.44	0.13	8.74	0.25
R0434	144.17	0.94	+0.94/-1.37	5.99	0.15	2.91	0.13	2.44	0.13	8.74	0.25
R0435	147.35	0.94	+0.94/-1.38	5.99	0.15	2.91	0.13	2.44	0.13	8.74	0.25
R0436	150.52	0.94	+0.94/-1.39	5.99	0.15	2.91	0.13	2.44	0.13	8.74	0.25
R0437	153.7	0.94	+0.94/-1.4	5.99	0.15	2.91	0.13	2.44	0.13	8.74	0.25
R0438	159.36	1.02	+1.02/-1.49	5.99	0.15	2.91	0.13	2.44	0.13	8.74	0.25
R0439	165.71	1.02	+1.02/-1.51	5.99	0.15	2.91	0.13	2.44	0.13	8.74	0.25
R0440	172.06	1.02	+1.02/-1.53	5.99	0.15	2.91	0.13	2.44	0.13	8.74	0.25
R0441	178.41	1.02	+1.02/-1.55	5.99	0.15	2.91	0.13	2.44	0.13	8.74	0.25
R0442	184.76	1.14	+1.14/-1.7	5.99	0.15	2.91	0.13	2.44	0.13	8.74	0.25
R0443	191.11	1.14	+1.14/-1.72	5.99	0.15	2.91	0.13	2.44	0.13	8.74	0.25
R0444	197.46	1.14	+1.14/-1.74	5.99	0.15	2.91	0.13	2.44	0.13	8.74	0.25
R0445	203.81	1.14	+1.14/-1.75	5.99	0.15	2.91	0.13	2.44	0.13	8.74	0.25
R0446	216.51	1.40	+1.4/-2.05	5.99	0.15	2.91	0.13	2.44	0.13	8.74	0.25
R0447	229.21	1.40	+1.4/-2.08	5.99	0.15	2.91	0.13	2.44	0.13	8.74	0.25
R0448	241.91	1.40	+1.4/-2.12	5.99	0.15	2.91	0.13	2.44	0.13	8.74	0.25
R0449	254.61	1.40	+1.4/-2.16	5.99	0.15	2.91	0.13	2.44	0.13	8.74	0.25
R0450	267.31	1.52	+1.52/-2.33	5.99	0.15	2.91	0.13	2.44	0.13	8.74	0.25
R0451	280.01	1.52	+1.52/-2.36	5.99	0.15	2.91	0.13	2.44	0.13	8.74	0.25

Back-Up Ring Standard Size

Back-Up Ring Standard Size

Back-Up Ring SIZE	MEASUREMENTS IN MILLIMETERS										
	ID	NBR ±	FKM ±	W	±	T	±	A	±	R	±
R0452	292.71	1.52	+1.52/-2.4	5.99	0.15	2.91	0.13	2.44	0.13	8.74	0.25
R0453	305.41	1.52	+1.52/-2.44	5.99	0.15	2.91	0.13	2.44	0.13	8.74	0.25
R0454	318.11	1.52	+1.52/-2.48	5.99	0.15	2.91	0.13	2.44	0.13	8.74	0.25
R0455	330.81	1.52	+1.52/-2.52	5.99	0.15	2.91	0.13	2.44	0.13	8.74	0.25
R0456	343.51	1.78	+1.78/-2.81	5.99	0.15	2.91	0.13	2.44	0.13	8.74	0.25
R0457	356.21	1.78	+1.78/-2.85	5.99	0.15	2.91	0.13	2.44	0.13	8.74	0.25
R0458	368.91	1.78	+1.78/-2.88	5.99	0.15	2.91	0.13	2.44	0.13	8.74	0.25
R0459	381.61	1.78	+1.78/-2.92	5.99	0.15	2.91	0.13	2.44	0.13	8.74	0.25
R0460	394.31	1.78	+1.78/-2.96	5.99	0.15	2.91	0.13	2.44	0.13	8.74	0.25
R0461	406.5	1.91	+1.91/-3.12	5.99	0.15	2.91	0.13	2.44	0.13	8.74	0.25
R0462	419.2	1.91	+1.91/-3.16	5.99	0.15	2.91	0.13	2.44	0.13	8.74	0.25
R0463	431.9	2.03	+2.03/-3.33	5.99	0.15	2.91	0.13	2.44	0.13	8.74	0.25
R0464	444.6	2.16	+2.16/-3.49	5.99	0.15	2.91	0.13	2.44	0.13	8.74	0.25
R0465	457.3	2.16	+2.16/-3.53	5.99	0.15	2.91	0.13	2.44	0.13	8.74	0.25
R0466	470	2.16	+2.16/-3.57	5.99	0.15	2.91	0.13	2.44	0.13	8.74	0.25
R0467	482.7	2.29	+2.29/-3.73	5.99	0.15	2.91	0.13	2.44	0.13	8.74	0.25
R0468	495.4	2.29	+2.29/-3.77	5.99	0.15	2.91	0.13	2.44	0.13	8.74	0.25
R0469	508.1	2.41	+2.41/-3.94	5.99	0.15	2.91	0.13	2.44	0.13	8.74	0.25
R0470	533.5	2.41	+2.41/-4.01	5.99	0.15	2.91	0.13	2.44	0.13	8.74	0.25
R0471	558.9	2.54	+2.54/-4.22	5.99	0.15	2.91	0.13	2.44	0.13	8.74	0.25
R0472	584.3	2.67	+2.67/-4.42	5.99	0.15	2.91	0.13	2.44	0.13	8.74	0.25
R0473	609.7	2.79	+2.79/-4.62	5.99	0.15	2.91	0.13	2.44	0.13	8.74	0.25
R0474	635.1	2.92	+2.92/-4.83	5.99	0.15	2.91	0.13	2.44	0.13	8.74	0.25
R0475	660.5	3.05	+3.05/-5.03	5.99	0.15	2.91	0.13	2.44	0.13	8.74	0.25

MEMO



A series of horizontal dotted lines for writing, starting from the top right and extending across the page.

GMORS®

GE MAO RUBBER INDUSTRIAL CO., LTD.

No.15, Kung Yeh East 4th Rd., Lukang, Chang Hua 505,
Taiwan.

TEL:886-4-7810288(REP.)

FAX:886-4-7810289

E-MAIL:rubber@gmors.com.tw

[Https://www.gmors.com](https://www.gmors.com)



Catalog Download